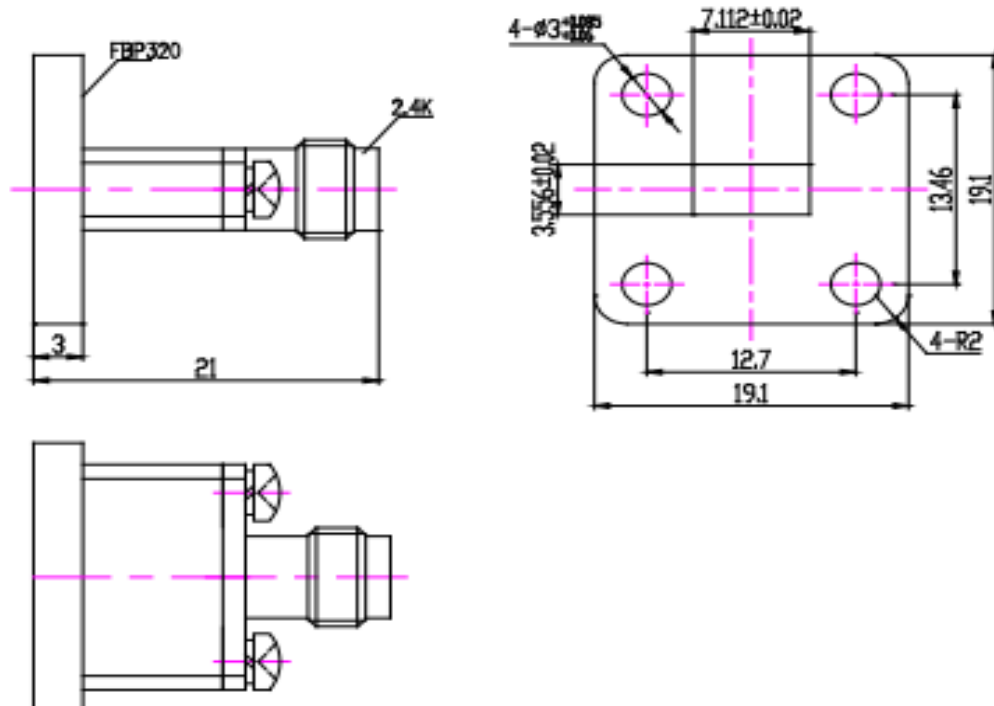


Waveguide to Coaxial Adapter (End-Launch) SRFS320WECA2.4KPC



Mechanical Specifications	
Waveguide type	WR28
Material	Copper/Brass
Flange type	FBP320 (Cover)
Connector Type	2.4mm Female
Inside Finish	Gold plating
Electrical Specifications	
Frequency Range	26.5-40 GHz
VSWR (Max)	1.25