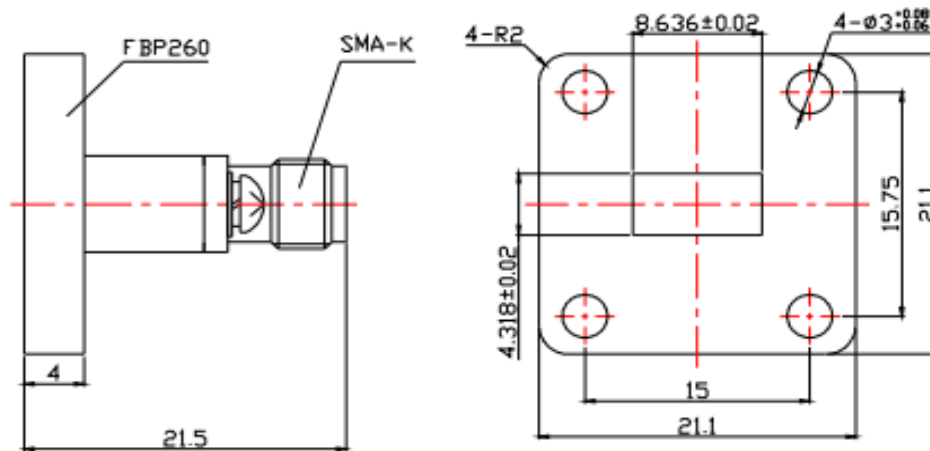


Waveguide to Coaxial Adapter (End-Launch) SRFS260WECASKPC



Mechanical Specifications	
Waveguide type	WR34
Material	Copper
Flange type	FUGP260
Connector Type	SMA Female
Inside Finish	Silver plating
Outside Finish	Anticorrosion grey paint
Electrical Specifications	
Frequency Range	21.7-33 GHz
VSWR (Max)	1.50