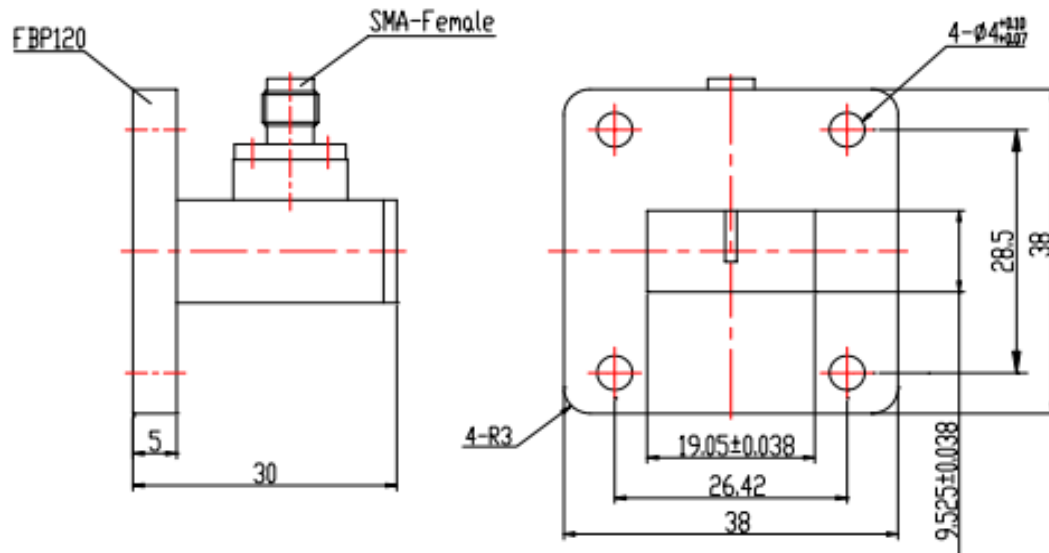


SRFS TELEINFRA



WR75 Waveguide to Coaxial Adapter Right Angle Part no. SRFS120WCASKPC



Mechanical Specifications	
Waveguide Type	WR75
Connector type	SMA Female
Material	Copper/Brass
Inside Finish	Silver plating
Outside Finish	Anticorrosion grey paint
Flange Type	FBP120 (Cover)
Electrical Specifications	
Frequency Range	9.84-15 GHz
VSWR (Max)	1.25



Plot no 10 Shiv Vihar A Block Najafgarh Nala Road Vikasnagar Uttam Nagar New Delhi-110059

+91-9027232570, +91-8800726650 ✉ info@srfsteleinfra.in, info@srfsteleinfra.com

🌐 www.srfsteleinfra.in