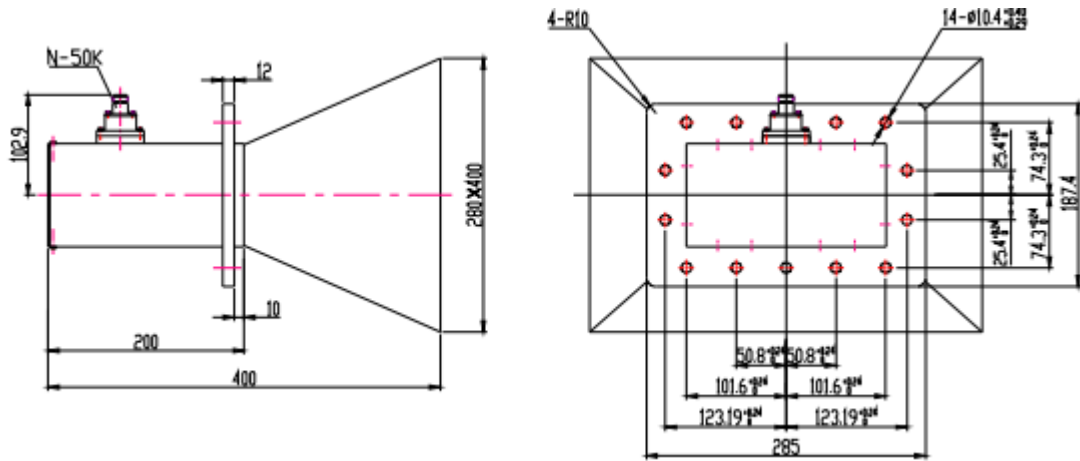


SRFS TELEINFRA



Standard Gain Horn Antenna SRFS12SGAH10NK



Mechanical Specifications

Waveguide type	WR770
Material	Aluminum
Connector Type	N Female
Inside finish	Chromate conversion
Outside finish	Anticorrosion grey paint
Electrical Specifications	
Frequency Range	0.96-1.46 GHz
VSWR (Max)	1.50
Gain(Avg)	10dB



Plot no 10 Shiv Vihar A Block Najafgarh Nala Road Vikasnagar Uttam Nagar New Delhi-110059

+91-9027232570, +91-8800726650 info@srfsteleinfra.in, info@srfsteleinfra.com

www.srfsteleinfra.in