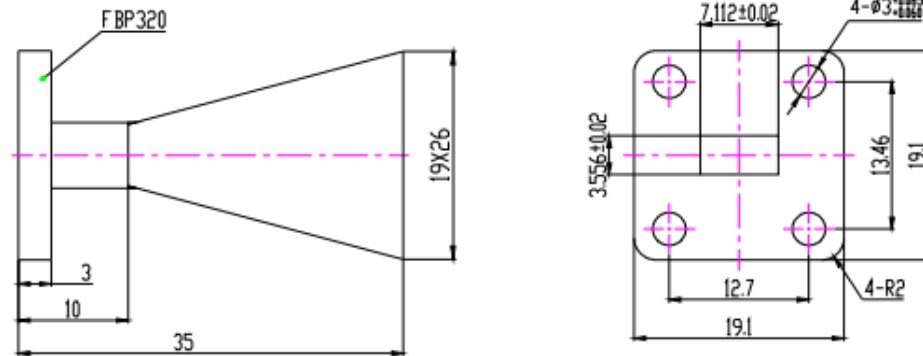


## Standard Gain Horn Antenna-26.3-40 GHz, SRFS320SGAH15



Mechanical Specifications	
Waveguide type	WR28
Material	Copper
Flange type	FBP320 (Cover)
Inside finish	Silver Plating
Outside finish	Anticorrosion grey paint
Electrical Specifications	
Frequency Range	26.3-40 GHz
VSWR (Max)	1.25
Gain(Avg)	15dB