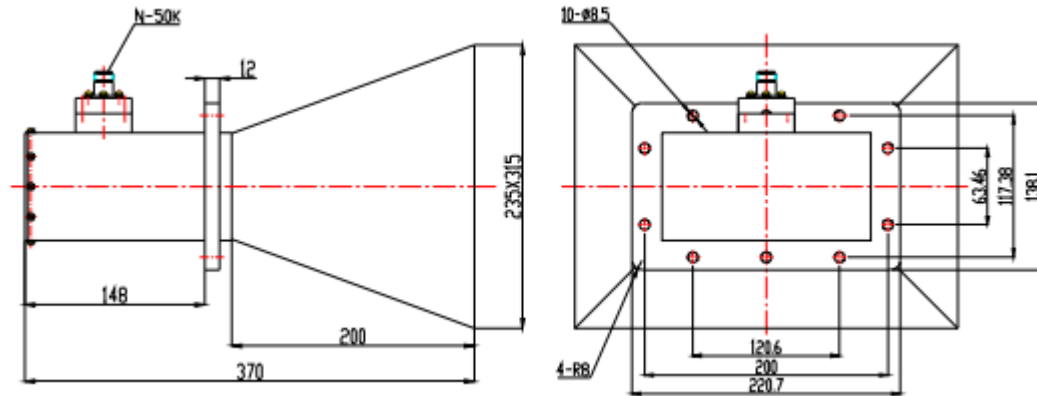


Standard Gain Horn Antenna-1.13-1.73 GHz, SRFS14SGAH10NK



Mechanical Specifications

Waveguide type	WR650
Material	Aluminum
Connector Type	N Female
Inside finish	Chromate conversion
Outside finish	Anticorrosion grey paint
Electrical Specifications	
Frequency Range	1.13-1.73 GHz
VSWR (Max)	1.50
Gain(Avg)	10dB