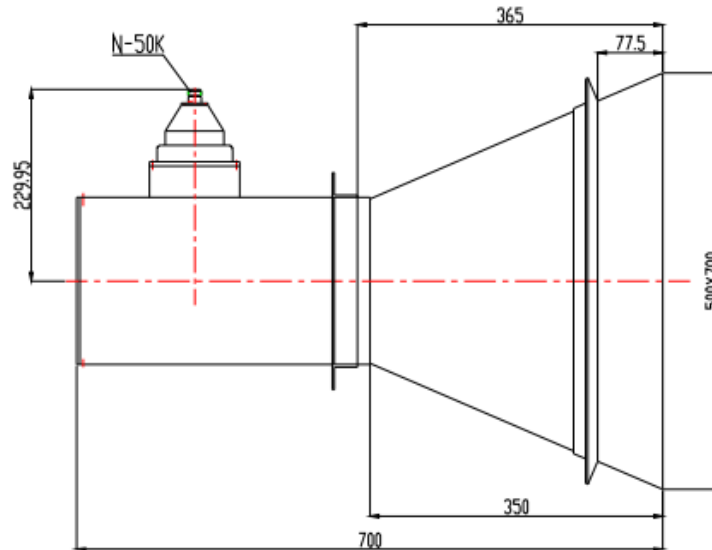


Standard Gain Horn Antenna SRFS6SGAH10NK



Mechanical Specifications	
Waveguide type	WR1500
Material	Aluminum
Connector Type	N Female
Inside finish	Chromate conversion
Outside finish	Anticorrosion grey paint
Electrical Specifications	
Frequency Range	0.49-0.75GHz
VSWR (Max)	1.50
Gain(Avg)	10dB