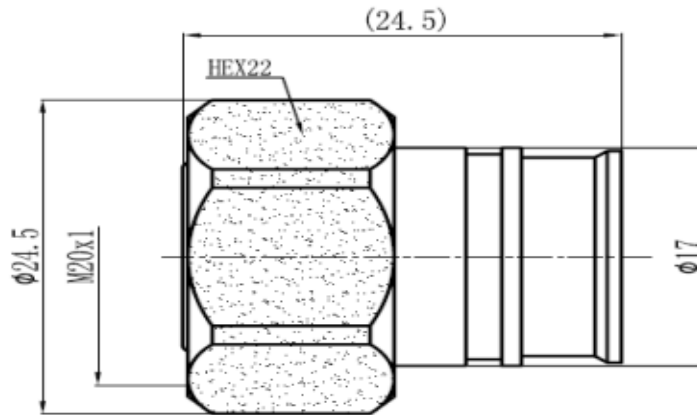


4.3/10 Male Connector for 1/2 Flexible cable



Electrical & Mechanical Specifications		
Impedance	50Ω	
Frequency	Frequency DC to 6 GHz	
VSWR	≤1.15 (DC to 3.0GHz)	
Insertion loss	≤0.05xSqrt(F GHz)dB	
Insulation resistance	≥ 5000 MΩ	
Outer contact resistance	≤ 1.0mΩ	
Center contact resistance	≤ 1.0mΩ	
Test voltage	2500V	
Intermodulation(3rd order),	2X20W, ≤-160dBc(900MHz,1800MHz)	
Matching cable	1/2" flex,	
Mating Cycle	100	
Recommended torque	5N m	
Termination cable retention	≥500N	
Material & Plating		
	Material	Plating
Outer Conductor	Brass	Tri - Metal(CuSnZn)
Inner conductor	Brass	Ag
Nut	Brass	Ni
Insulator	PTFE	
Gasket	Silicone	
Environmental		
Temperature Range	-40°C~+85°C	
RoHs Compliant	Yes	