

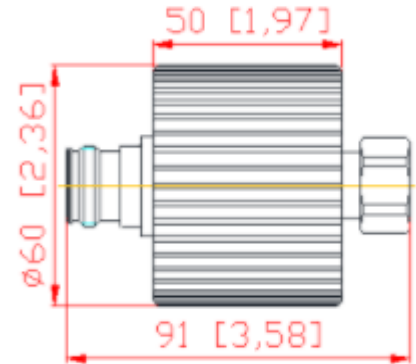
Tri Metal 6dB 4.3-10 Mini Din Female 30w 3800MHz RF Attenuator

Product Description:

Tri Metal 6dB 4.3-10 Mini Din Female 30w 3800MHz RF Attenuator

DC-3.8Ghz 30 watts 4.3-10 female -4.3-10 male Attenuators Mini Din

RF attenuators usually can be used to reduce the power of the signal within many RF circuit designs and RF systems. These RF attenuators can be fixed, switched, surface mounted or even continuously variable.



Mechanical & Electrical Specifications

Mechanical & Electrical Specifications							
Part Number	SRFS-AT-3.8G-100W-OPX						
Operating Frequency (MHz)	DC-3800						
Impedance (Ohm)	50						
VSWR	≤1.25						
Application	Indoor & Outdoor						
Degree of Protection	IP65						
Handling Power (Watt, max)	100						
Interface	4.3-10 Male – 4.3-10 Female						
Operating Temperature (°C)	-40 ~ + 80						
Attenuation(dB)	3	5	6	10	15	20	30
Attenuation Tolerance(dB)	±0.5	±0.5	±0.6	±0.8	±1	±1.5	±1.8
Dimension (mm)(L×W×H, excl connector)	150×100×73						
Net Weight (g)	1150± 20						
Packing Dimensions (mm,L×W×H)	300 × 170 × 120						
Packing Carton Size (mm,L×W×H)	620 × 500 × 190						
ROHS Compliance	Yes						

Plot no 10 Shiv Vihar A Block Najafgarh Nala Road Vikasnagar Uttam Nagar New Delhi-110059

+91-9027232570, +91-8800726650 ✉ info@srfsteleinfra.in, info@srfsteleinfra.com

www.srfsteleinfra.in

Tri Metal 6dB 4.3-10 Mini Din Female 30w 3800MHz RF Attenuator

