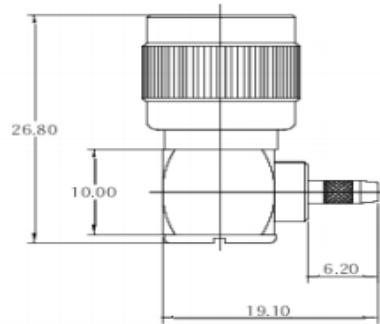


SRFS TELEINFRA



TNC MALE R/A FOR RG316, RG174



ELECTRICAL&MECHANICAL SPECIFICATIONS		
Characteristics Impedance	50 ohm	
Frequency Range	DC-6GHz	
Contact Current	DC 3.5A max	
Insertion Loss	≤0.18dB Max @ 9 GHz	
Voltage Rating	250 Vrms	
VSWR	< 1.5 Max	
Working Voltage	1000Vrms,50 Hz at sea level	
Dielectric Resistance	≥5000MΩ	
Contact Resistance	Center Contact ≤ 2.0 mΩ Outer Contact ≤ 0.2 mΩ	
Durability	Mating cycles ≥500	
MATERIAL&PLATING		
	Material	Plating
Body	Brass	Ni
Center Contact	Brass	Au
Insulator PTFE -	PTFE	-
ENVIRONMENTAL SPECIFICATIONS		
Temperature Range	- 65°C ~ +85 °C	
RoHS Compliant	Yes	