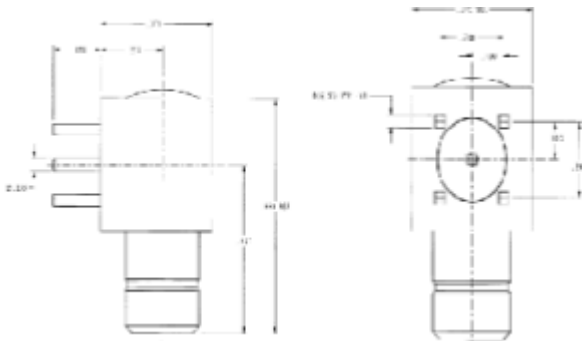


SMZ FEMALE R/A PCB



Electrical & Mechanical Specifications		
Characteristics Impedance	75 ohm	
Frequency Range	DC-3 GHz	
VSWR	$\leq 1.30@DC-3000MHz$	
Insertion Loss	$\leq 0.10dB@2200MHz$	
Intermodulation	$3rd \leq -157dBc@2 \times 20W$	
Dielectric Withstanding Voltage	1500 Vrms, 50Hz, at sea level	
Working Voltage	200V RMS, 50Hz, at sea level	
Dielectric Resistance	$\geq 5000M\Omega$	
Contact Resistance	Outer Contact $\leq 1.0m\Omega$ Center Contact $\leq 5m\Omega$	
Durability	Mating cycles ≥ 250	
Material & Plating		
	Material	Plating
Body	Brass	Ni
Insulator	PTFE	—
Center conductor	Beryllium Bronze	Au
Spring Contact	Phosphor Bronze	Au
Ferrule	Annealed Copper	Ni
Environmental		
Temperature Range	$-40^{\circ}C \sim +100^{\circ}C$	
RoHS Compliant	Yes	