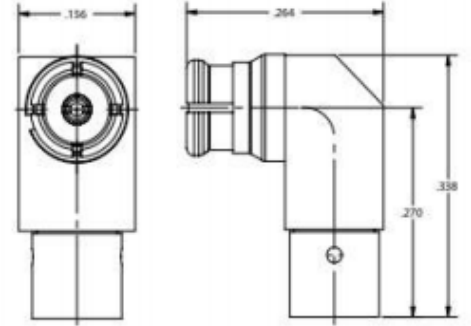


SRFS TELEINFRA



SMP SWEPT R/A FEMALE FOR .047, .085



ELECTRICAL&MECHANICAL SPECIFICATIONS	
Characteristics Impedance	50 Ω
Frequency Range	DC to 40 GHz
VSWR	1.20:1 max : DC to 18 GHz 1.15:1 max : 23 to 26.5 GHz 1.40:1 max : 26.5 to 40 GHz
Insertion Loss	0.10 dB x $\sqrt{\text{GHz}}$ dB
RF leakage (Fully Mated)	-80 dB min. DC to 3 GHz -65 dB min. from 3 to 26.5 GHz
Voltage Rating	335 Vrms max.at sea level
Dielectric Withstanding Voltage	500 Vrms max. at sea level
Insulation Resistance	5000 megohms min.
Dielectric Resistance	$\geq 5000\text{M}\Omega$
Contact Resistance	Center Contact $\leq 6\text{m}\Omega$ Outer Contact $\leq 2.0\text{m}\Omega$
Durability	Mating cycles ≥ 250
MATERIAL&PLATING	
	Material Plating
Body	Brass Au
Insulator	PTFE -
Center Conductor	Beryllium Copper Au
ENVIRONMENTAL SPECIFICATIONS	
Temperature Range	- 65°C ~ +165 °C
RoHS Compliant	Yes

Plot no 10 Shiv Vihar A Block Najafgarh Nala Road Vikasnagar Uttam Nagar New Delhi-110059

+91-9027232570, +91-8800726650 info@srfsteleinfra.in, info@srfsteleinfra.com

www.srfsteleinfra.in