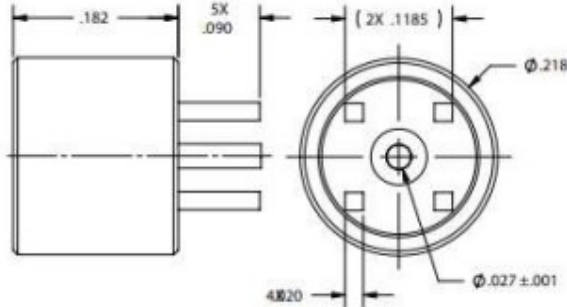


SRFS TELEINFRA



SMP MALE PCB MOUNT (4 LEG, STRAIGHT CONTACT)



ELECTRICAL&MECHANICAL SPECIFICATIONS		
Characteristics Impedance	50 Ω	
Frequency Range	DC to 40 GHz	
VSWR	1.20:1 max : DC to 18 GHz 1.15:1 max : 23 to 26.5 GHz 1.40:1 max : 26.5 to 40 GHz	
Insertion Loss	0.10 dB x √GHz dB	
RF leakage (Fully Mated)	-80 dB min. DC to 3 GHz -65 dB min. from 3 to 26.5 GHz	
Voltage Rating	335 Vrms max.at sea level	
Dielectric Withstanding Voltage	500 Vrms max. at sea level	
Insulation Resistance	5000 megohms min.	
Dielectric Resistance	≥5000MΩ	
Contact Resistance	Center Contact ≤6mΩ Outer Contact ≤2.0mΩ	
MATERIAL&PLATING		
	Material	Plating
Body	Brass	Ag
Insulator	PTFE	-
Center Conductor	Beryllium Copper	Au
ENVIRONMENTAL SPECIFICATIONS		
Temperature Range	- 65°C ~ +165 °C	
RoHS Compliant	Yes	



Plot no 10 Shiv Vihar A Block Najafgarh Nala Road Vikasnagar Uttam Nagar New Delhi-110059

+91-9027232570, +91-8800726650 ✉ info@srfsteleinfra.in, info@srfsteleinfra.com

www.srfsteleinfra.in