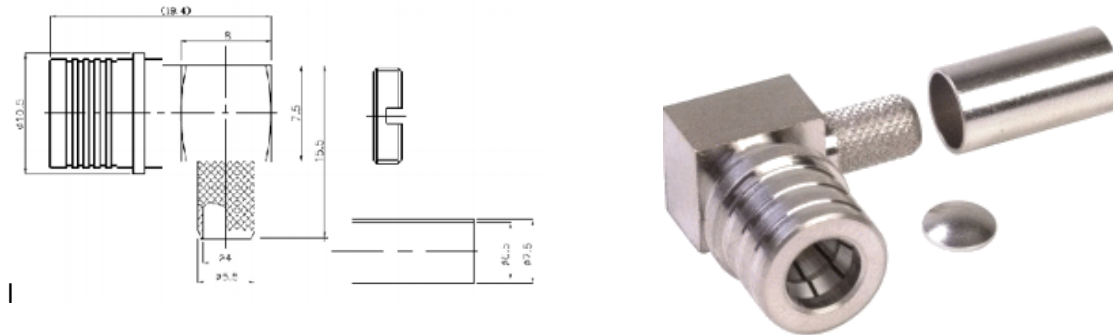


QMA Male Right Angle Crimp Connector For RG240 Cable



ELECTRICAL&MECHANICAL SPECIFICATIONS		
Characteristics Impedance	50 ohm	
Frequency Range	DC-6GHz	
VSWR	≤1.25@DC-3000MHZ,	
Dielectric Withstanding Voltage	1000Vrms, 50 Hz at sea level	
Working Voltage	≤480V	
Contact Resistance	Center Contact ≤ 2.5 mΩ	
	Outer Contact ≤ 3.0mΩ	
Durability	Mating cycles ≥100	
Dielectric Resistance	≥5000MΩ	
MATERIAL&PLATING		
	Material	Plating
Body	Brass	Tri-alloy
Gasket	Silicone Rubber	-
Ferrule	Annealed copper	Ni
Insulator	PTFE(Teflon)	—
Center contact	Phosphor copper	Au
Outer Contact	Phosphor copper	Tri-alloy
ENVIRONMENTAL SPECIFICATIONS		
Temperature Range	- 40°C ~ +85 °C	
Waterproof Rate	IP 67	
RoHS Compliant	Yes	