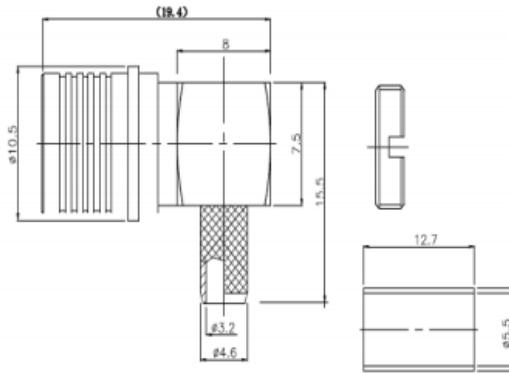


QMA Male Right Angle Crimp Connector For LMR200 Cable



ELECTRICAL&MECHANICAL SPECIFICATIONS		
Characteristics Impedance	50 ohm	
Frequency Range	DC-6GHz	
VSWR	$\leq 1.25@DC-3000MHz$; $\leq 1.35@DC-6GHz$	
Dielectric Withstanding Voltage	1000Vrms, 50 Hz at sea level	
Working Voltage	$\leq 480V$	
Contact Resistance	Center Contact $\leq 3 m\Omega$ Outer Contact $\leq 2.5m\Omega$	
Dielectric Resistance	$\geq 5000M\Omega$	
Mating cycles	≥ 500	
MATERIAL&PLATING		
	Material	Plating
Body	Brass	Tri-alloy
Sealing cap	Brass	Ni
Ferrule	Annealed copper	Ni
Insulator	PTFE(Teflon)	—
Center contact	Phosphor copper	Au
Outer Contact	Phosphor copper	Tri-alloy
ENVIRONMENTAL SPECIFICATIONS		
Temperature Range	$-40^{\circ}C \sim +85^{\circ}C$	
Waterproof Rate	IP 67	
RoHS Compliant	Yes	