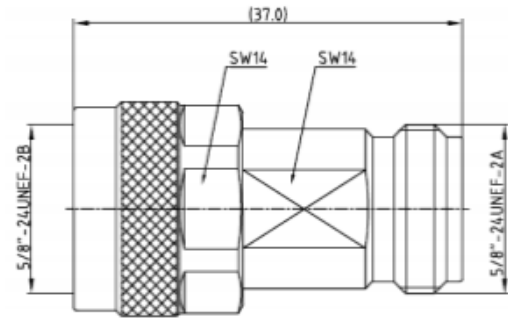


# SRFS TELEINFRA



## N MALE TO N FEMALE ADAPTOR Part No. SRFS-NMF/018



### ELECTRICAL&MECHANICAL SPECIFICATIONS

Characteristics Impedance	50 ohm
Frequency Range	DC-18GHz
VSWR	1.20:1
Working Voltage	335V max
Insertion Loss	≤ 0.2 dB
RF leakage	≤ 70dB @ 18 GHz
Dielectric Withstanding Voltage	≤ 1000V RMS,50Hz,at sea level
RF High Potential Withstanding Voltage	≤ 500V RMS @ 5 MHz
Insulation Resistance	≥5000M OHM
Contact Resistance	Center Contact ≤ 3mΩ Outer Contact ≤ 2 mΩ
Dielectric Resistance	≥5000MΩ
Durability	Mating cycles ≥500

### MATERIAL & PLATING

	Material	Plating
Body	Stainless Steel (SU303F)	Passivated
Insulator	PEI	-
Center conductor	Beryllium Copper	Gold Plated

### ENVIRONMENTAL SPECIFICATIONS

Temperature Range	- 55°C ~ +165 °C
Interface Standard	MIL- STD – 348A
RoHS Compliant	Yes



Plot no 10 Shiv Vihar A Block Najafgarh Nala Road Vikasnagar Uttam Nagar New Delhi-110059

+91-9027232570, +91-8800726650 [info@srfsteleinfra.in](mailto:info@srfsteleinfra.in), [info@srfsteleinfra.com](mailto:info@srfsteleinfra.com)

[www.srfsteleinfra.in](http://www.srfsteleinfra.in)