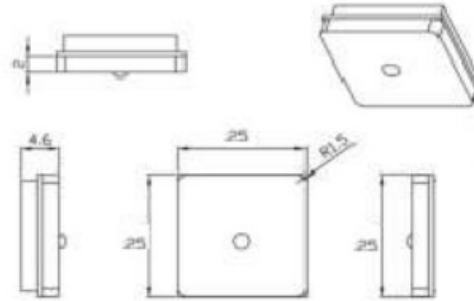


GPS Internal Antenna (25mm* 25mm) Model No. SRFS- IGPS28C -60



| Technical Specifications | |
|----------------------------|---------------------------|
| Frequency Range | 1575.42 +/- 3 |
| Gain | 25 ~ 28 dBI |
| VSWR | 2.0:1 |
| Band Width | 5 MHz min @ S11-10 dB |
| Polarization | Right Hand Circular |
| Noise Figure | 1.5 Typ |
| Impedance | 50 Ohm |
| Supply Voltage | 3V~ 5V |
| Lightning Protection | DC Ground |
| Current Consumption | 7.5 mA @ 5V DC |
| | |
| Mechanical Specifications | |
| Connector | IPEX or Customized |
| Cable | 1.13 or Customized (60mm) |
| Radom Color | Black |
| Radom Material | ABS/PP |
| Environmental Friendly | ROHS Compliant |
| Operating Temperature (°C) | -40°C ~ 60°C |
| Humidity | 10~95 % |