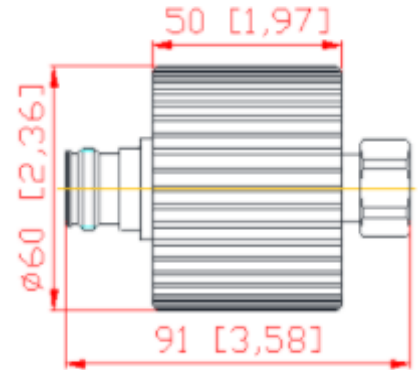


## DC-3.8GHz Variable Rf Attenuator

### Product Description:

#### DC-3.8GHz Variable Rf Attenuator

DC-3.8GHz 30 Watts 4.3-10 Male-4.3-10 Female 3~30dB RF Coaxial Attenuators



### Mechanical & Electrical Specifications

Part Number	SRFS-AT-3.8G-30W-OPX						
Operating Frequency ( MHz )	DC-3800						
Impedance ( Ohm )	50						
VSWR	≤1.25						
Application	Indoor & Outdoor						
Degree of Protection	IP65						
Handling Power (Watt, max)	30						
Interface	4.3-10 Male – 4.3-10 Female						
Operating Temperature ( °C )	-40 ~ + 80						
Attenuation(dB)	3	5	6	10	15	20	30
Attenuation Tolerance(dB)	±0.5	±0.5	±0.6	±0.8	±1	±1.5	±1.8
Dimension (mm)(L×W×H, excl connector)	50×Φ60						
Net Weight (g)	275± 20						
Packing Dimensions (mm,L×W×H)	105 × 65 ×65						
Packing Carton Size (mm,L×W×H)	350 × 350 × 225						
ROHS Compliance	Yes						

Plot no 10 Shiv Vihar A Block Najafgarh Nala Road Vikasnagar Uttam Nagar New Delhi-110059

+91-9027232570, +91-8800726650 ✉ [info@srfsteleinfra.in](mailto:info@srfsteleinfra.in), [info@srfsteleinfra.com](mailto:info@srfsteleinfra.com)

[www.srfsteleinfra.in](http://www.srfsteleinfra.in)

# SRFS TELEINFRA



## DC-3.8GHz Variable Rf Attenuator



Plot no 10 Shiv Vihar A Block Najafgarh Nala Road Vikasnagar Uttam Nagar New Delhi-110059

+91-9027232570, +91-8800726650 ✉ [info@srfsteleinfra.in](mailto:info@srfsteleinfra.in), [info@srfsteleinfra.com](mailto:info@srfsteleinfra.com)

🌐 [www.srfsteleinfra.in](http://www.srfsteleinfra.in)