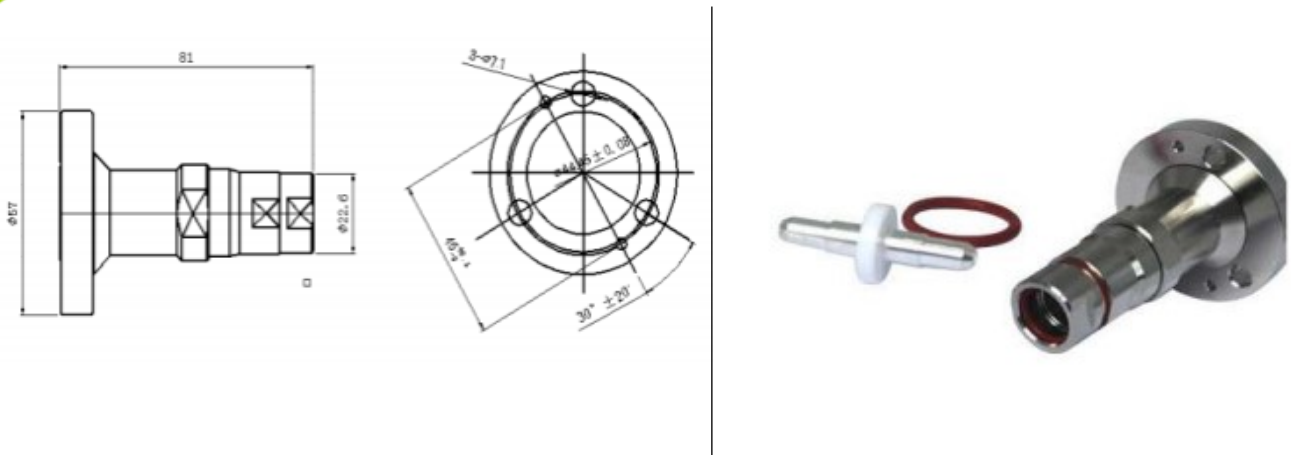


7/8" EIA FLANGE CONNECTOR FOR 1/2" FEEDER CABLE



ELECTRICAL&MECHANICAL SPECIFICATIONS		
Characteristics Impedance	50 ohm	
Frequency Range	DC-5 GHz	
VSWR	≤1.07@ DC-1000 MHz; ≤1.25@ DC 2500 MHz	
Dielectric Withstanding Voltage	≥6000V RMS,50Hz,at sea level	
Dielectric Resistance	≥5000MΩ	
Average Power	2.3 KW@900 MHz	
Peak Power Maximum	90 KW	
Contact Resistance	Center Contact ≤ 1.5 mΩ Outer Contact ≤ 1.5 mΩ	
Durability	Mating cycles ≥100	
MATERIAL&PLATING		
	Material	Plating
Body	Brass	Ni
Insulator	PTFE	-
Center conductor	Phosphor Bronze	Ag
Coupling Nut	Brass	Ni
Gasket	Silicone Rubber	-
Cable Clamp	Brass	Ni
Hardware Kits	Stainless Steel	-
ENVIRONMENTAL SPECIFICATIONS		
Temperature Range	- 40°C ~ +85 °C	
RoHS Compliant	Yes	