

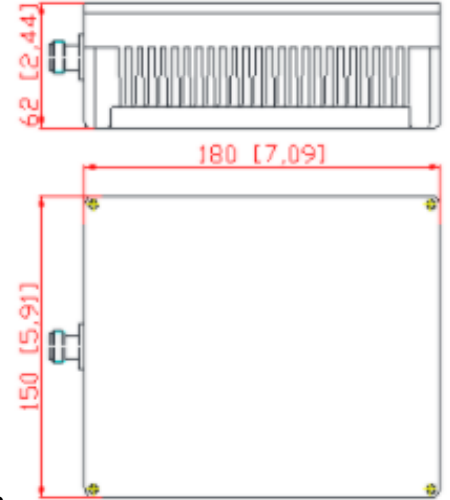
6GHZ N Female -165dbc Low PIM Termination

Product Description:

6GHZ N Female -165dbc Low PIM Termination

100 Watts 3.8GHZ 4GHZ 6GHZ N Female Low PIM -163dbc -165dbc RF Load Termination

Dummy load/Low PIM Termination/Load is a device used to stop some port as a RF power load when testing other RF products or stop the RF power radiation when some port is not used at present , the theory is matching similar impedance to real device that will be connected to the RF System. Dummy load also will absorb some power and getting heating when RFA system works, so when use dummy load to stop some port in the RF system, pay attention to the power handling , otherwise may be over-heated.



Mechanical & Electrical Specifications	
Part Number	SRFS-LD-4G-100W-ONf-S-160
Operating Frequency (GHz)	0-4
Impedance (Ohm)	50
VSWR	≤1.30 (≤1.2 @ DC-3.8G)
IM3 (dBc @ 2×43dBm)	-160
Application	Indoor & Outdoor
Degree of Protection	IP65
Operating Temperature (°C)	-40 ~ + 80
Interface	N Female
Handling Power (Watt, max)	100
Dimension (mm)(L×W×H, excl connector)	180X150X62
Net Weight (g)	1860 ± 20
Packing Dimensions (mm,L×W×H)	305 × 170 × 115
Packing Carton Size (mm,L×W×H)	620 × 360 × 180
ROHS Compliance	Yes

Plot no 10 Shiv Vihar A Block Najafgarh Nala Road Vikasnagar Uttam Nagar New Delhi-110059

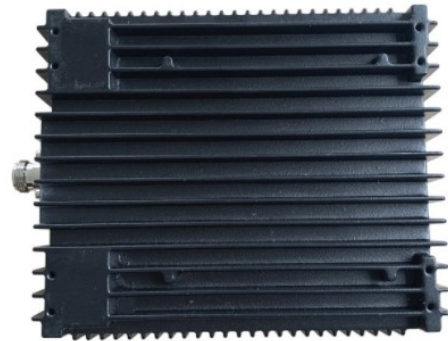
+91-9027232570, +91-8800726650 ✉ info@srfsteleinfra.in, info@srfsteleinfra.com

www.srfsteleinfra.in

SRFS TELEINFRA



6GHZ N Female -165dbc Low PIM Termination



Plot no 10 Shiv Vihar A Block Najafgarh Nala Road Vikasnagar Uttam Nagar New Delhi-110059

+91-9027232570, +91-8800726650  info@srfsteleinfra.in, info@srfsteleinfra.com

 www.srfsteleinfra.in