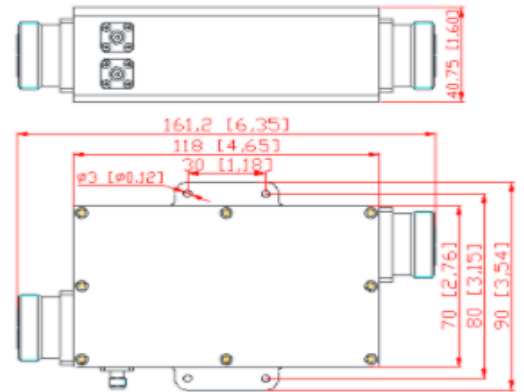


35dB 300 Watt DIN Female 100-1000 MHz Bi Directional Coupler



Product Description:

35dB 300 Watt DIN Female 100-1000 MHz Bi Directional Coupler

100-1000MHz 35dB 300W 0.1-1GHz DIN Female Bi-Directional Coupler

Bi-Directional couplers are a passive device used mostly in the field of radio technology. An essential feature of BI-directional couplers is with all four coupled ports accessible. In this case the two ports can be terminated with 50 ohm loads, and the outer ports can be connected to potentially mismatched loads without affecting the directivity or output at the other coupled port.

Mechanical & Electrical Specifications	
Part Number	SRFS-BDC-0110-300W-OD35
Operating Frequency (MHz)	100-1000
Impedance (Ohm)	50
VSWR	≤1.1
Coupling (dB)	35 ± 4
Insertion Loss (dB)	≤0.2
Directivity (dB)	≥57
Application	Indoor/Outdoor
Degree of Protection	IP65
Operating Temperature (°C)	-40 ~ + 80
Interface	DIN Female for Input & Output, SMA Female for Coupler Port
Handling Power (Watt, max)	300
Peak Power (Watt, max)	1200
Dimension (mm)(L×W×H, excl connector)	118 × 70× 40
Packing Dimensions (mm,L×W×H)	170 ×100 × 40
Packing Carton Size (mm,L×W×H)	520 × 360 × 105
ROHS Compliance	Yes

Plot no 10 Shiv Vihar A Block Najafgarh Nala Road Vikasnagar Uttam Nagar New Delhi-110059

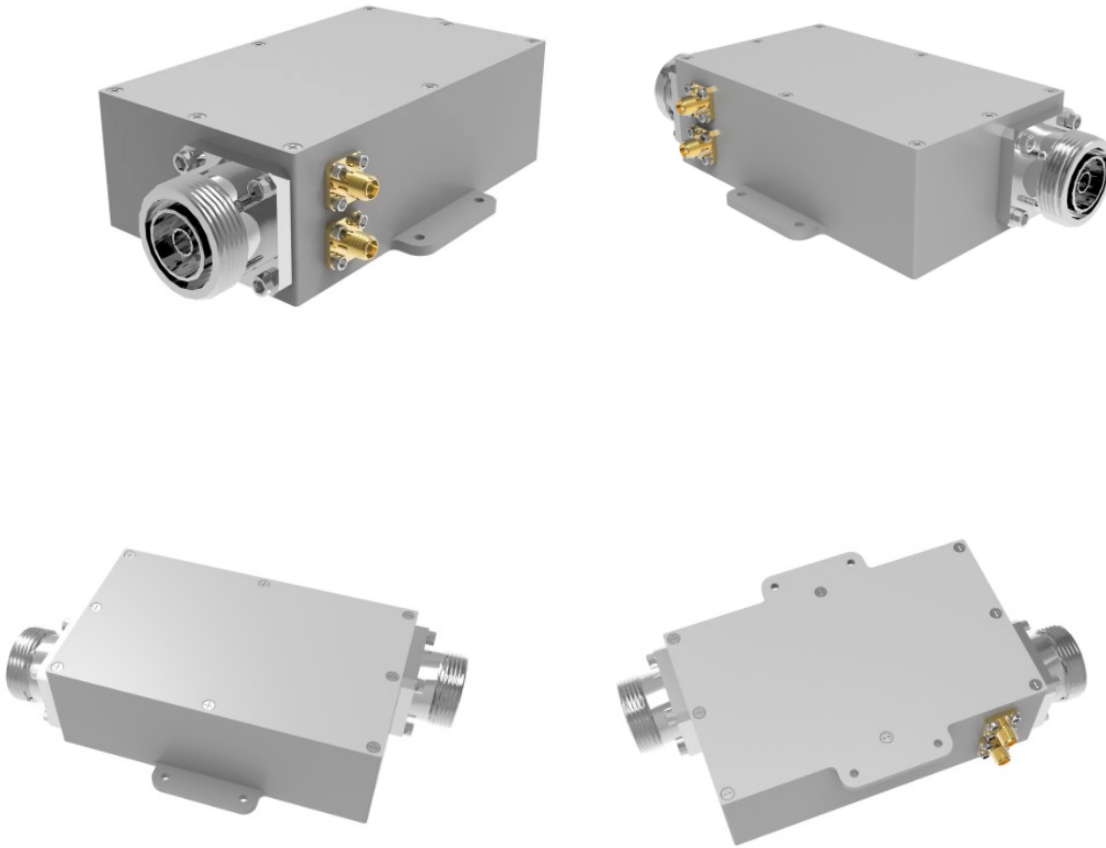
+91-9027232570, +91-8800726650 info@srfsteleinfra.in, info@srfsteleinfra.com

www.srfsteleinfra.in

SRFS TELEINFRA



35dB 300 Watt DIN Female 100-1000 MHz Bi Directional Coupler



Plot no 10 Shiv Vihar A Block Najafgarh Nala Road Vikasnagar Uttam Nagar New Delhi-110059

+91-9027232570, +91-8800726650 ✉ info@srfsteleinfra.in, info@srfsteleinfra.com

🌐 www.srfsteleinfra.in