

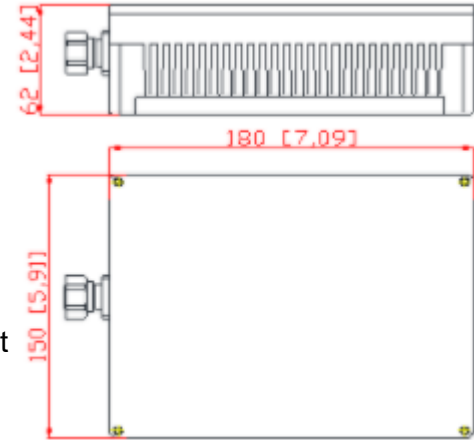
## 200 Watts 4.3-10 Male -163dbc 50 Ohm Load Termination

### Product Description:

200 Watts 4.3-10 Male -163dbc 50 Ohm Load Termination

200 Watts 3.8GHZ 4GHZ 6GHZ 4.3-10 Male Low PIM -163dbc -165dbc RF Load Termination

Dummy load/Low PIM Termination/Load is a device used to stop some port as a RF power load when testing other RF products or stop the RF power radiation when some port is not used at present , the theory is matching similar impedance to real device that will be connected to the RF System. Dummy load also will absorb some power and getting heating when RFA system works, so when use dummy load to stop some port in the RF system, pay attention to the power handling , otherwise may be over-heated .



Mechanical & Electrical Specifications	
Part Number	SRFS-LD-4G-200W-OPm-S-160
Operating Frequency ( GHz )	0-4
Impedance ( Ohm )	50
VSWR	≤1.30 (≤1.2 @ DC-3.8G)
IM3 (dBc @ 2×43dBm)	-160
Application	Indoor & Outdoor
Degree of Protection	IP65
Operating Temperature ( °C )	-40 ~ + 80
Interface	4.3-10 Male
Handling Power (Watt, max)	200
Dimension (mm)(L×W×H, excl connector)	180X150X62
Net Weight (g)	2340 ± 20
Packing Dimensions (mm,L×W×H)	305 × 170 × 115
Packing Carton Size (mm,L×W×H)	620 × 360 × 180
ROHS Compliance	Yes

Plot no 10 Shiv Vihar A Block Najafgarh Nala Road Vikasnagar Uttam Nagar New Delhi-110059

+91-9027232570, +91-8800726650 ✉ [info@srfsteleinfra.in](mailto:info@srfsteleinfra.in), [info@srfsteleinfra.com](mailto:info@srfsteleinfra.com)

[www.srfsteleinfra.in](http://www.srfsteleinfra.in)

# SRFS TELEINFRA



200 Watts 4.3-10 Male -163dbc 50 Ohm Load Termination



Plot no 10 Shiv Vihar A Block Najafgarh Nala Road Vikasnagar Uttam Nagar New Delhi-110059

+91-9027232570, +91-8800726650 [info@srfsteleinfra.in](mailto:info@srfsteleinfra.in), [info@srfsteleinfra.com](mailto:info@srfsteleinfra.com)

[www.srfsteleinfra.in](http://www.srfsteleinfra.in)