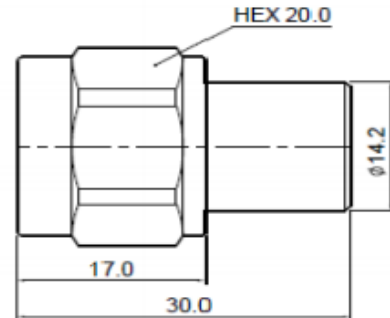


Low PIM 2 Watt N Dummy Termination Load 50 ohm N Male Terminator (SRFS-2-18-N M)



Product Features

- Reliable VSWR
- Easy Maintenance
- Wide Broadband Frequency Application

ELECTRICAL&MECHANICAL SPECIFICATIONS		
Frequency Range	DC~18 GHz	
VSWR	≤1.18:1	
Average Power	2 Watt	
Impedance	50 Ω	
Peak Power	5μs:0.1KW	
3rd Order IMD	≤-105dBc @2x43dBm	
Connector	N Male	
MATERIALS		
	Material	Plating
Body	Brass	Ternary Plating
Insulator	PTFE	-
Center Contact	Brass	Au
Hex Nut	Brass	Ternary Plating
ENVIRONMENTAL SPECIFICATIONS		
Operating Temperature	-65°C ~ +85 °C	
Relative Humidity	5%-95%	
RoHS Compliant	Yes	