

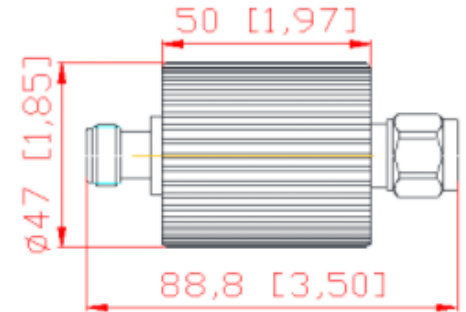
10 Watts N Female 3dB Rf Attenuator

Product Description:

10 Watts N Female 3dB Rf Attenuator

DC-3.8GHz 10 Watts N Male-N Female 3~30dB RF Coaxial Attenuators

RF attenuators usually can be used to reduce the power of the signal within many RF circuit designs and RF systems. These RF attenuators can be fixed, switched, surface mounted or even continuously variable.



Mechanical & Electrical Specifications

Part Number	SRFS-AT-3.8G-10W-ONX						
Operating Frequency (MHz)	DC-3800						
Impedance (Ohm)	50						
VSWR	≤1.25						
Application	Indoor & Outdoor						
Degree of Protection	IP65						
Handling Power (Watt, max)	10						
Interface	N Male - N Female						
Operating Temperature (°C)	-40 ~ + 80						
Attenuation(dB)	3	5	6	10	15	20	30
Attenuation Tolerance(dB)	±0.5	±0.5	±0.6	±0.8	±1	±1.5	±1.8
Dimension (mm)(L×W×H, excl connector)	50×Φ47						
Net Weight (g)	210± 20						
Packing Dimensions (mm,L×W×H)	105 × 65 ×65						
Packing Carton Size (mm,L×W×H)	350 × 350 × 225						
ROHS Compliance	Yes						

Plot no 10 Shiv Vihar A Block Najafgarh Nala Road Vikasnagar Uttam Nagar New Delhi-110059

+91-9027232570, +91-8800726650 ✉ info@srfsteleinfra.in, info@srfsteleinfra.com

www.srfsteleinfra.in

10 Watts N Female 3dB Rf Attenuator

