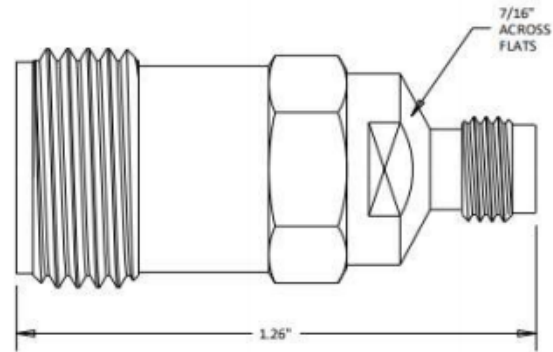


1.85 FEMALE TO N FEMALE ADAPTER Part No. SRFS 1.85N FF/018



ELECTRICAL&MECHANICAL SPECIFICATIONS		
Characteristics Impedance	50 Ω	
Frequency Range	DC-18 GHz	
VSWR	1.25:1	
Working Voltage	335V max	
Insertion Loss	≤ 0.2 dB	
RF leakage	≤ 70 dB @ 18 GHz	
Dielectric Withstanding Voltage	≤ 1000 V RMS,50Hz,at sea level	
RF High Potential Withstanding Voltage	≤ 500 V RMS @ 5 MHz	
Insulation Resistance	≥ 5000 M OHM	
Contact Resistance	Center Contact ≤ 3 m Ω Outer Contact ≤ 2 m Ω	
Durability	Mating cycles ≥ 500	
Dielectric Resistance	≥ 5000 M Ω	
MATERIAL & PLATING		
	Material	Plating
Body	Stainless Steel	Passivated
Insulator	PEI	-
Center conductor	Beryllium Copper	Gold Plated
ENVIRONMENTAL SPECIFICATIONS		
Temperature Range	- 55°C ~ +165 °C	
Interface Standard	MIL- STD – 348A	
RoHS Compliant	Yes	