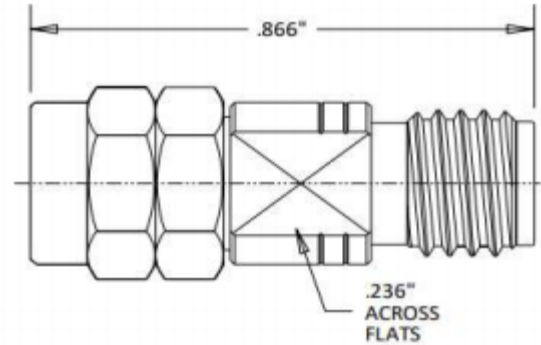


# SRFS TELEINFRA



## 1.85 FEMALE TO 2.4 MALE ADAPTER Part No. SRFS-18524FM/50



ELECTRICAL&MECHANICAL SPECIFICATIONS		
Characteristics Impedance	50 ohm	
Frequency Range	DC-50GHz	
VSWR	1.25	
Working Voltage	335V max	
Insertion Loss	≤ 0.2 dB	
RF leakage	≤ 70dB @ 18 GHz	
Dielectric Withstanding Voltage	≤ 1000V RMS,50Hz,at sea level	
RF High Potential Withstanding Voltage	≤ 500V RMS @ 5 MHz	
Insulation Resistance	≥5000M OHM	
Contact Resistance	Center Contact ≤ 3mΩ Outer Contact ≤ 2 mΩ	
Dielectric Resistance	≥5000MΩ	
Durability	Mating cycles ≥500	
MATERIAL & PLATING		
	Material	Plating
Body	Stainless Steel	Passivated
Insulator	PEI	-
Center conductor	Beryllium Copper	Gold Plated
ENVIRONMENTAL SPECIFICATIONS		
Temperature Range	- 55°C ~ +165 °C	
Interface Standard	MIL- STD – 348A	
RoHS Compliant	Yes	