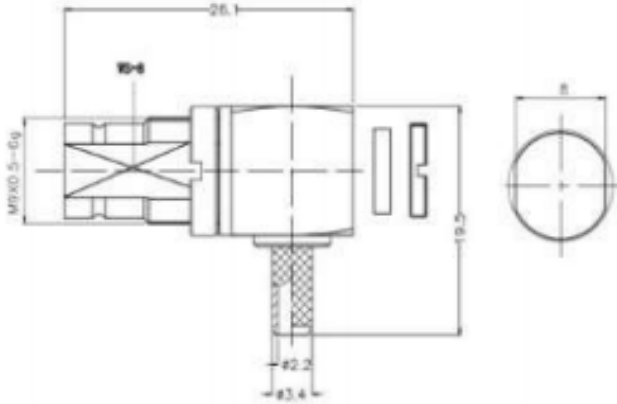


## 1.6 / 5.6 FEMALE R/A CRIMP BULKHEAD CONNECTOR FOR BT 3002



ELECTRICAL&MECHANICAL SPECIFICATIONS		
Impedance	75 $\Omega$	
Frequency	DC – 1 GHz	
VSWR	$\leq 1.25$ @ DC 1 GHz	
Dielectric Withstanding Voltage	$\geq 1000$ Vrms at Sea Level	
Dielectric Resistance	$\geq 10000$ M $\Omega$	
Contat Resistance (Center Contact)	$\leq 4$ M $\Omega$	
Contact Resistance(Outer Contact)	$\leq 2$ M $\Omega$	
Mating cycles	$\geq 500$ times	
MATERIAL&PLATING		
	Material	Plating
Body	Brass	Ni
Insulator	PTFE	-
Center Conductor	Phosphor Bronze	Au
Resilient Contact	Phosphor Bronze	Au
Coupling Nut	Brass	Ni
Ferrule Annealed	Copper	Ni
ENVIRONMENTAL SPECIFICATIONS		
Temperature Range	$-40^{\circ}\text{C} \sim +85^{\circ}\text{C}$	
RoHS Compliant	Yes	