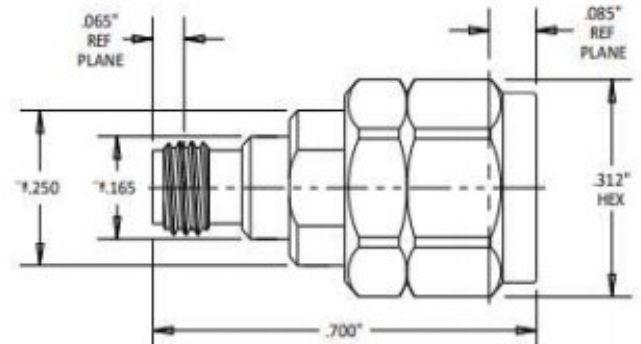


## 1.0 MM FEMALE TO 1.85 MALE ADAPTER Part No. SRFS-10185FM/67



### ELECTRICAL&MECHANICAL SPECIFICATIONS

Characteristics Impedance	50 ohm
Frequency Range	DC-67GHz
VSWR	1.25
Working Voltage	335V max
Insertion Loss	≤ 0.2 dB
RF leakage	≤ 70dB @ 18 GHz
Dielectric Withstanding Voltage	≤ 1000V RMS,50Hz,at sea level
RF High Potential Withstanding Voltage	≤ 500V RMS @ 5 MHz
Insulation Resistance	≥5000M OHM
Contact Resistance	Center Contact ≤ 3mΩ Outer Contact ≤ 2 mΩ
Durability	Mating cycles ≥500
Dielectric Resistance	≥5000MΩ

### MATERIALS

	Material	Plating
Body	Stainless Steel	Passivated
Insulator	PEI	-
Center conductor	Beryllium Copper	Gold Plated

### ENVIRONMENTAL SPECIFICATIONS

Temperature Range	- 55°C ~ +165 °C
Interface Standard	MIL- STD – 348A
RoHS Compliant	Yes