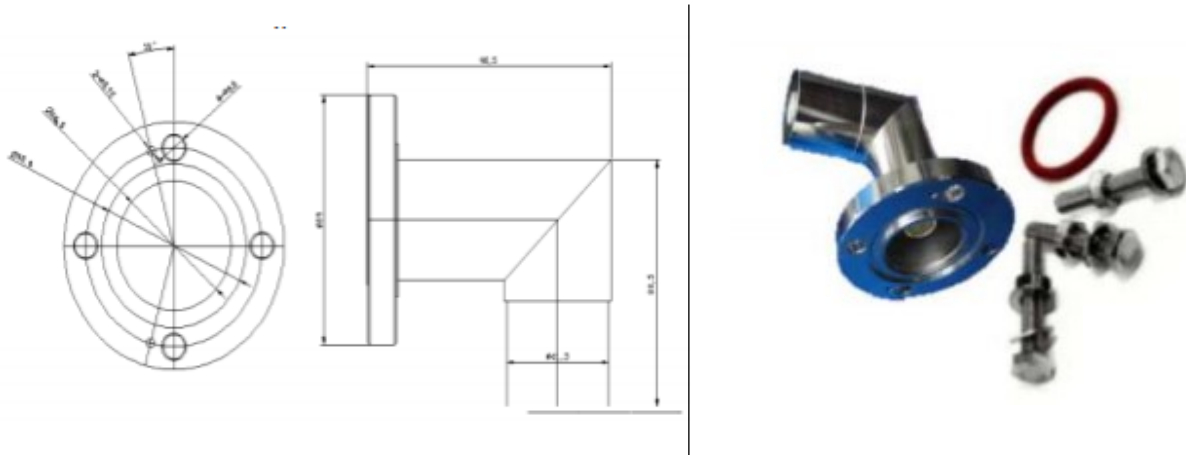


SRFS TELEINFRA



1-5/8" EIA FLANGE R/A CONNECTOR FOR 1-5/8" CABLE



ELECTRICAL&MECHANICAL SPECIFICATIONS		
Characteristics Impedance	50 ohm	
Frequency Range	DC-3 GHz	
VSWR	≤1.07 @ DC-1000 MHz	
Dielectric Withstanding Voltage	≥6000V RMS,50Hz,at sea level	
Dielectric Resistance	≥5000MΩ	
Average Power	7.0 KW@900 MHz	
Peak Power Maximum	90 KW	
Contact Resistance	Center Contact ≤ 1.5 mΩ Outer Contact ≤ 1.5 mΩ	
Durability	Mating cycles ≥500	
MATERIAL&PLATING		
	Material	Plating
Body	Brass	Ni
Insulator	PTFE	-
Center conductor	Phosphor Bronze	Ag
Coupling Nut	Brass	Ni
Gasket	Silicone Rubber	-
Hardware Kits	Stainless Steel	-
ENVIRONMENTAL SPECIFICATIONS		
Temperature Range	- 40°C ~ +85 °C	
RoHS Compliant	Yes	



Plot no 10 Shiv Vihar A Block Najafgarh Nala Road Vikasnagar Uttam Nagar New Delhi-110059

+91-9027232570, +91-8800726650 ✉ info@srfsteleinfra.in, info@srfsteleinfra.com

www.srfsteleinfra.in