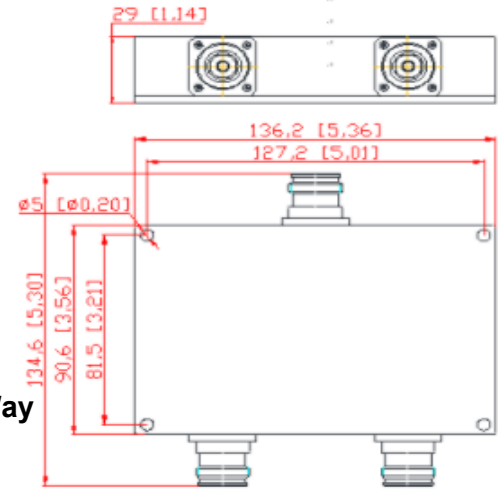


DAS IBS Mini Din Female 138-960MHz Wideband Power Divider

Product Description:

DAS IBS Mini Din Female 138-960MHz Wideband Power Divider

138-960MHz 4.3-10 Mini DIN Female Low PIM -153dBc -160dBc 2 Way Wilkinson Power Divider For Public Safety DAS IBS



Wilkinson Power Divider (WPD) is a specific class of power divider circuit that can achieve isolation between the output ports while maintaining a matched condition on all ports. The Wilkinson design can also be used as a power combiner, the high degree of isolation between the output ports prevents cross talk between the individual channels which can be easily fabricated as quarter wave lines on circuit. WPD also can be unequally divided the input power based

| Mechanical & Electrical Specifications | |
|--|---------------------|
| Part Number | SRFS-PD-013096-OP2 |
| Operating Frequency (MHz) | 138-960 |
| Impedance (Ohm) | 50 |
| VSWR | ≤1.3 |
| Split Loss (dB) | ≤3.6 |
| Isolation (dB) | ≥18 |
| IM3 (dBc @ 2×43dBm) | -153 |
| Application | Indoor & Outdoor |
| Degree of Protection | IP65 |
| Operating Temperature (°C) | -40 ~ + 80 |
| Interface | 4.3-10 Female |
| Handling Power (Watt, max) | 50(2w as combiner) |
| Peak Power (Watt, max) | 200 |
| Dimension (mm)(L×W×H, excl connector) | 136.2 × 90.6× 29 |
| Net Weight (g) | 830 ± 20 |
| Packing Dimensions (mm,L×W×H) | 210 × 170 × 65 |
| Packing Carton Size (mm,L×W×H) | 530 × 440 × 80 |
| ROHS Compliance | Yes |

Plot no 10 Shiv Vihar A Block Najafgarh Nala Road Vikasnagar Uttam Nagar New Delhi-110059

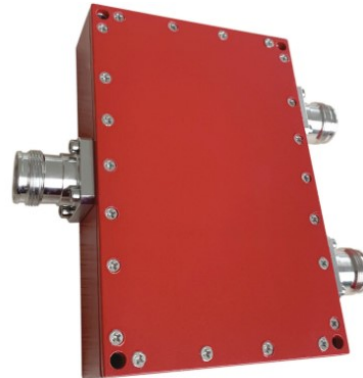
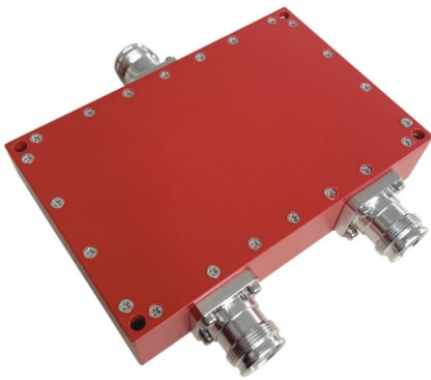
+91-9027232570, +91-8800726650 ✉ info@srfsteleinfra.in, info@srfsteleinfra.com

www.srfsteleinfra.in

SRFS TELEINFRA



DAS IBS Mini Din Female 138-960MHz Wideband Power Divider



Plot no 10 Shiv Vihar A Block Najafgarh Nala Road Vikasnagar Uttam Nagar New Delhi-110059

+91-9027232570, +91-8800726650 ✉ info@srfsteleinfra.in, info@srfsteleinfra.com

🌐 www.srfsteleinfra.in