

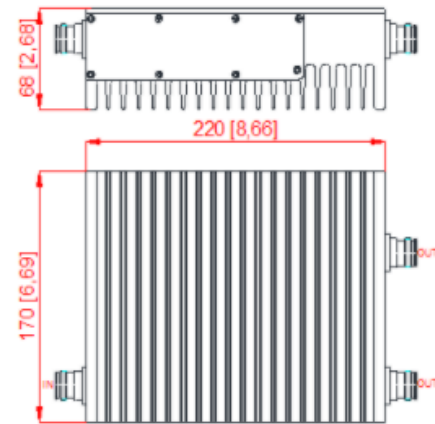
698-4000MHz Wide Band Din Female -153dbc Rf Combiner

Product Description:

698-4000MHz Wide Band Din Female -153dbc Rf Combiner

698-3800MHz 617-3800MHz 4.3-10 Mini Din Female -153dbc -163dbc Low PIM 2IN 1OUT Hybrid Combiner

The hybrid combiner is used to split and combiner RF signals. It is related to the 3 dB hybrid which is based on PCB transmission lines or dielectric 3db hybrid , and is most commonly used as combiner in distributed antenna system(DAS).



Mechanical & Electrical Specifications

Part Number	SRFS-LPHC2x1-0738-OP
Operating Frequency (MHz)	690-3800
Impedance (Ohm)	50
VSWR	1.25
Coupling (dB)	3
Insertion Loss (dB)	≤0.8(splitting loss not including)
Isolation (dB)	23
IM3 (dBc @ 2×43dBm)	-160
Application	Indoor & Outdoor
Degree of Protection	IP65
Operating Temperature (°C)	-40 ~ + 80
Interface	4.3-10 Female
Handling Power (Watt, max)	100
Peak Power (Watt, max)	1000
Dimension (mm)(L×W×H, excl connector)	220X170X68
ROHS Compliance	Yes

Plot no 10 Shiv Vihar A Block Najafgarh Nala Road Vikasnagar Uttam Nagar New Delhi-110059

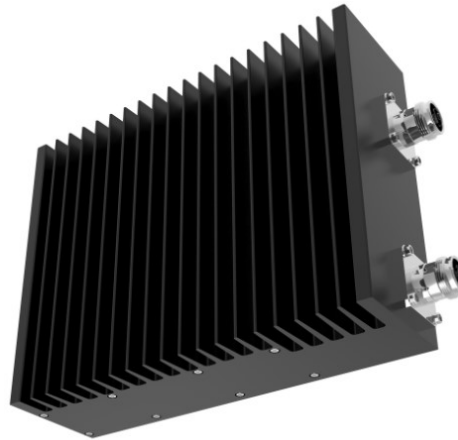
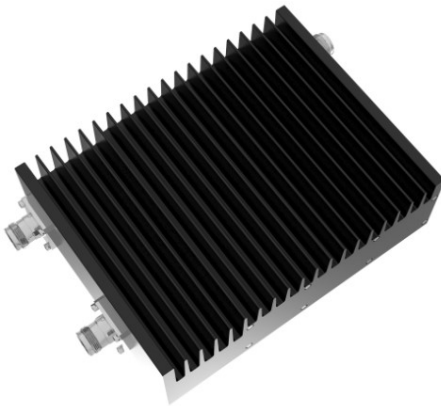
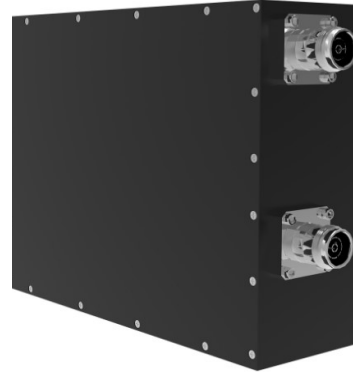
+91-9027232570, +91-8800726650 ✉ info@srfsteleinfra.in, info@srfsteleinfra.com

www.srfsteleinfra.in

SRFS TELEINFRA



698-3800MHz Wide Band Din Female -153dbc Rf Combiner



Plot no 10 Shiv Vihar A Block Najafgarh Nala Road Vikasnagar Uttam Nagar New Delhi-110059

+91-9027232570, +91-8800726650 ✉ info@srfsteleinfra.in, info@srfsteleinfra.com

🌐 www.srfsteleinfra.in