

## 698-3800MHZ N Female 10 Db Directional Coupler

### Product Description:

698-3800MHZ N Female 10 Db Directional Coupler

698-3800MHZ N Female 5dB 6dB 7dB 8dB 10dB 12dB 15dB 20dB 30dB  
RF Air Dielectric DAS IBS Directional Coupler

.P/N Model:VN-DC-0738-ON5 (5dB Coupler...)

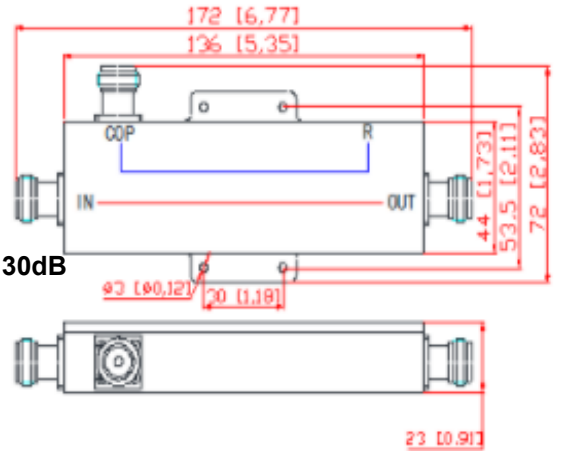
.For DAS IBS Application

.Coupling Degree: Can Be Customized

.Low PIM : Up To -165dbc @ 43dBm\*2

.Installation: Screw Or With Brakets.

.Installation: Screw Or With Brakets



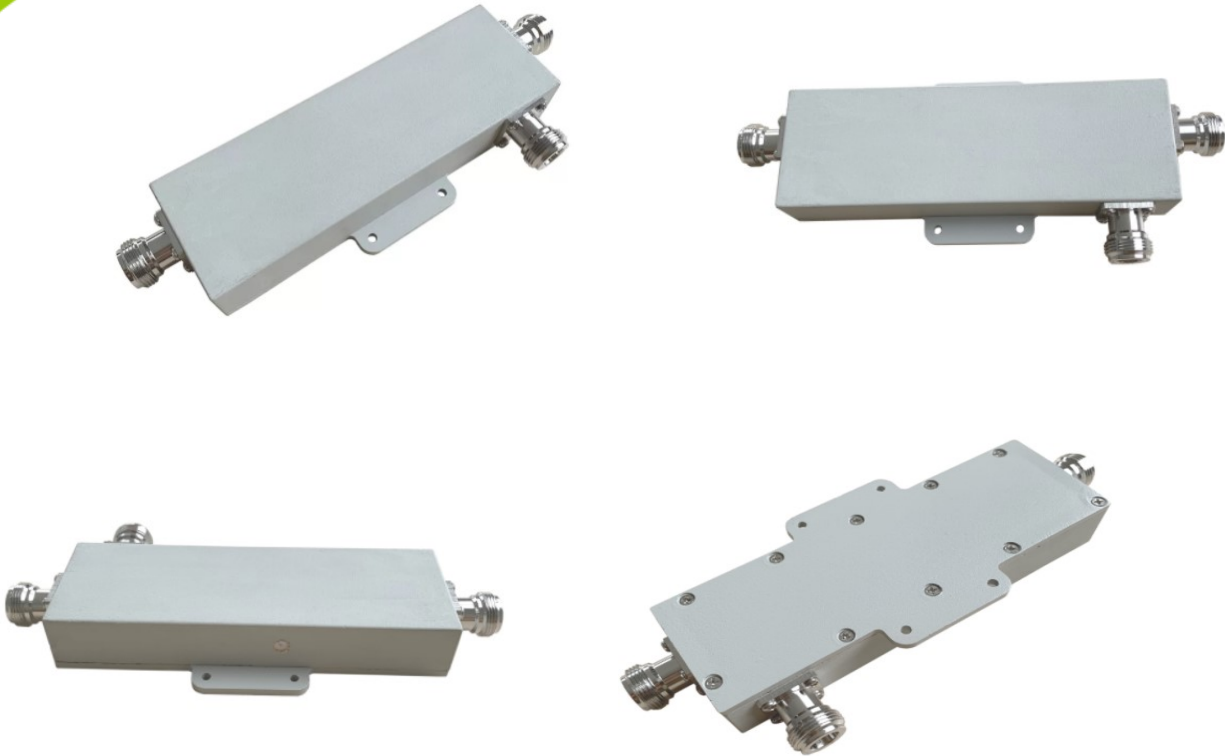
Mechanical & Electrical Specifications							
Part Number	SRFS-DC-0738-ONx						
Operating Frequency ( MHz )	698-3800						
Impedance ( Ohm )	50						
VSWR	≤1.25						
Coupling (dB)	5 ± 0.8	6 ± 0.8	7 ± 0.9	10 ± 1.0	15 ± 1	20 ± 1.2	30 ± 1.5
Insertion Loss (dB)	≤2.05	≤1.65	≤1.45	≤0.8	≤0.5	≤0.22	≤0.2
Isolation (dB)	≥23	≥24	≥25	≥28	≥33	≥38	≥45
IM3 (dBc @ 2×43dBm)	-155 / -163						
Application	Indoor & Outdoor						
Degree of Protection	IP65						
Operating Temperature ( °C )	-40 ~ + 80						
Interface	N Female						
Handling Power (Watt, max)	300						
Peak Power (Watt, max)	1200						
Dimension (mm)	136 × 44 × 23 (excludes connector)						
Net Weight (g)	360 ± 20						
Packing Dimensions (mm)	180 × 75 × 30						
Packing Carton Size(mm)	400 × 380 × 170						
ROHS Compliance	Yes						

Plot no 10 Shiv Vihar A Block Najafgarh Nala Road Vikasnagar Uttam Nagar New Delhi-110059

+91-9027232570, +91-8800726650 [info@srfsteleinfra.in](mailto:info@srfsteleinfra.in), [info@srfsteleinfra.com](mailto:info@srfsteleinfra.com)

[www.srfsteleinfra.in](http://www.srfsteleinfra.in)

## 698-3800MHZ N Female 10 Db Directional Coupler



**Directional couplers** are a passive device used mostly in the field of radio technology. They couple a defined amount of the electromagnetic power in a transmission line to a port enabling the signal to be used in another radio system or next radio equipment. An essential feature of directional couplers is that they only couple power flowing in one direction. Power entering the output port is coupled to the isolated port but not to the coupled port. A directional coupler designed to split power equally between two ports is called a **hybrid coupler**, for example ,3dB hybrid coupler.

SRFS directional coupler are based on different design ,such as micro-stripline, air-dielectric ,thin film ,waveguide etc.

Directional couplers have many applications. These include providing a signal sample for measurement or monitoring, feedback, combining feeds to and from antennas, providing signal taps for cable and/or Distributed Antenna Systems such as cable TV, mobile signal coverage and separating transmitted and received signals on telecom systems.