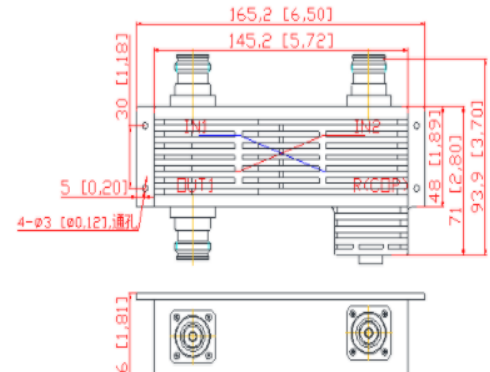


698-2700MHz 4.3-10 Female 3db Hybrid Coupler



Product Description:

698-2700MHz 4.3-10 Female 3db Hybrid Coupler

698-2700/3800MHz 4.3-10 Mini Din Female Low PIM 3dB Hybrid Coupler Combiner For DAS IBS

The hybrid combiner is used to split and combiner RF signals. It is related to the 3 dB hybrid which is based on PCB transmission lines or dielectric 3db hybrid , and is most commonly used as combiner in distributed antenna system(DAS).

Mechanical & Electrical Specifications

Part Number	SRFS-HC2x1-0738-OP
Operating Frequency (MHz)	700-3800
Impedance (Ohm)	50
VSWR	1.25
Coupling (dB)	3
Insertion Loss (dB)	s≤0.8(splitting loss not including)
Isolation (dB)	19
IM3 (dBc @ 2×43dBm)	-130
Application	Indoor & Outdoor
Degree of Protection	IP65
Operating Temperature (°C)	-40 ~ + 80
Interface	4.3-10 Female
Handling Power (Watt, max)	200
Peak Power (Watt, max)	1200
Dimension (mm)(L×W×H, excl connector)	145.2X71X46
Net Weight (g)	825
Packing Dimensions (mm,L×W×H)	175X110X50
Packing Carton Size (mm,L×W×H)	570X360X120
ROHS Compliance	Yes
Connector	4.3-10 Mini Din Female

Plot no 10 Shiv Vihar A Block Najafgarh Nala Road Vikasnagar Uttam Nagar New Delhi-110059

+91-9027232570, +91-8800726650 ✉ info@srfsteleinfra.in, info@srfsteleinfra.com

www.srfsteleinfra.in

SRFS TELEINFRA



698-2700MHz 4.3-10 Female 3db Hybrid Coupler



Plot no 10 Shiv Vihar A Block Najafgarh Nala Road Vikasnagar Uttam Nagar New Delhi-110059

+91-9027232570, +91-8800726650 ✉ info@srfsteleinfra.in, info@srfsteleinfra.com

🌐 www.srfsteleinfra.in
