

550 To 3800MHZ 8dB 1200 Watt DAS RF Directional Coupler

Product Description:

550 To 3800MHZ 8dB 1200 Watt DAS RF Directional Coupler

550-3800MHZ N Female 5dB 6dB 7dB 8dB 10dB 12dB 15dB 20dB RF Air Dielectric DAS IBS Directional Coupler

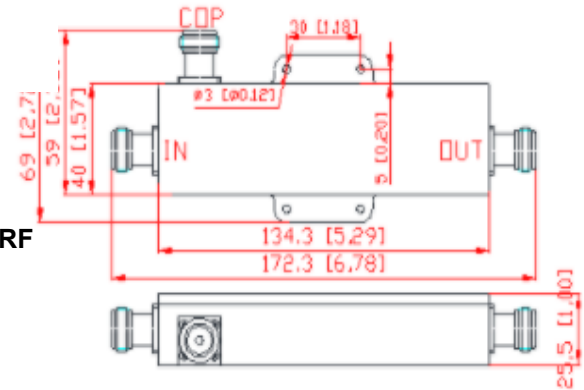
.P/N Model:VN-DC-05538-ON5 (5dB Coupler...)

.For DAS IBS Application

.Coupling Degree: Can Be Customized

.Low PIM : Up To -165dbc @ 43dBm*2

.Installation: Screw Or With Brakets



Mechanical & Electrical Specifications

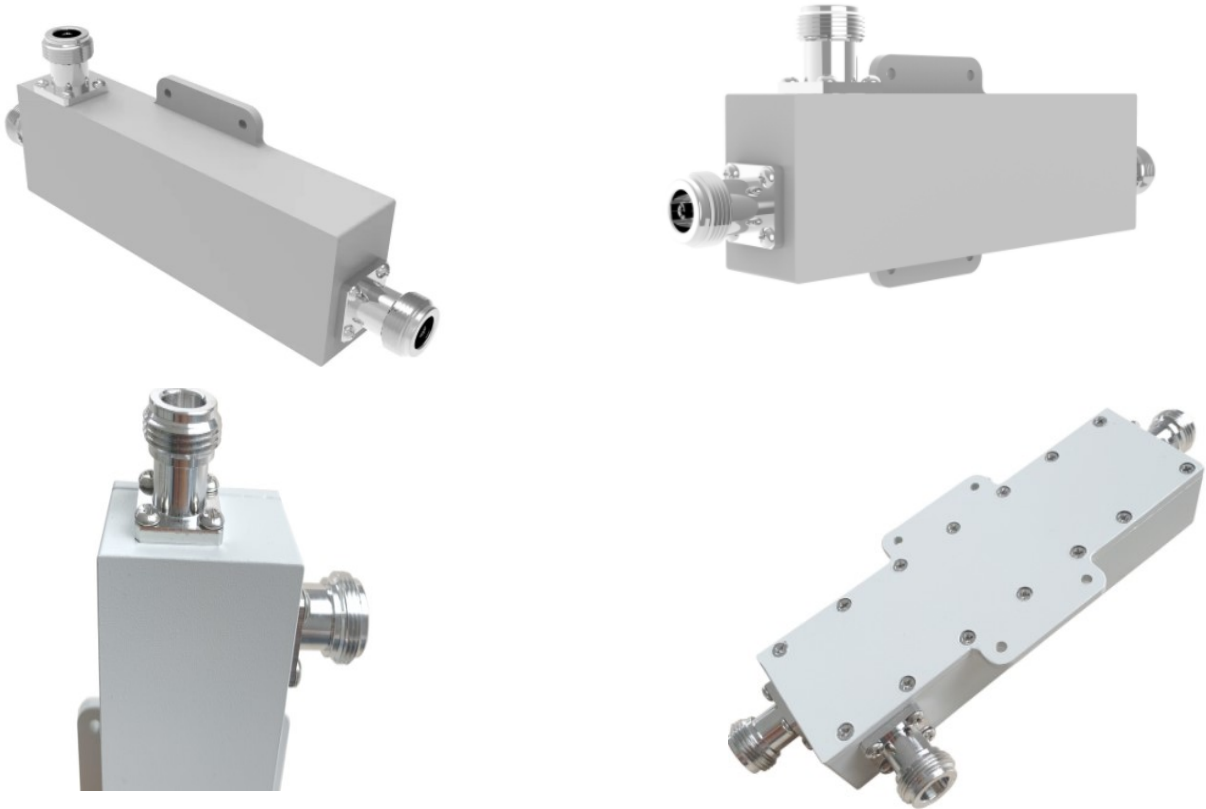
Part Number	SRFS-DC-05538-ONx							
Operating Frequency (MHz)	550-3800							
Impedance (Ohm)	50							
VSWR	≤1.25							
Coupling (dB)	5	6	7	8	10	12	15	20
Tolerance (dB)	± 0.9	± 0.9	± 0.9	± 0.9	± 1.2	± 1.5	± 1.5	± 1.5
Insertion Loss (dB)	≤2.1	≤1.7	≤1.5	≤1.2	≤0.8	≤0.7	≤0.5	≤0.4
Isolation (dB)	≥22	≥23	≥24	≥25	≥27	≥29	≥32	≥37
IM3 (dBc @ 2x43dBm)	-153 / -163							
Application	Indoor/Outdoor							
Degree of Protection	IP65							
Operating Temperature (°C)	-40 ~ + 80							
Interface	N Female							
Handling Power (Watt, max)	300							
Peak Power (Watt, max)	1200							
Dimension (mm)(L×W×H, excl connector)	134.3 × 40× 25.5							
Net Weight (g)	365± 20							
Packing Dimensions (mm,L×W×H)	180 × 75 × 30							
Packing Carton Size (mm,L×W×H)	400 × 380 × 175							
ROHS Compliance	Yes							
Color	Customized							
Connector	N Female							

Plot no 10 Shiv Vihar A Block Najafgarh Nala Road Vikasnagar Uttam Nagar New Delhi-110059

+91-9027232570, +91-8800726650 info@srfsteleinfra.in, info@srfsteleinfra.com

www.srfsteleinfra.in

550 To 3800MHZ 8dB 1200 Watt DAS RF Directional Coupler



Directional couplers are a passive device used mostly in the field of radio technology. They couple a defined amount of the electromagnetic power in a transmission line to a port enabling the signal to be used in another radio system or next radio equipment. An essential feature of directional couplers is that they only couple power flowing in one direction. Power entering the output port is coupled to the isolated port but not to the coupled port. A directional coupler designed to split power equally between two ports is called a **hybrid coupler**, for example ,3dB hybrid coupler.

SRFS directional coupler are based on different design ,such as micro-stripline, air-dielectric ,thin film ,waveguide etc.

Directional couplers have many applications. These include providing a signal sample for measurement or monitoring, feedback, combining feeds to and from antennas, providing signal taps for cable and/or Distributed Antenna Systems such as cable TV, mobile signal coverage and separating transmitted and received signals on telecom systems.