

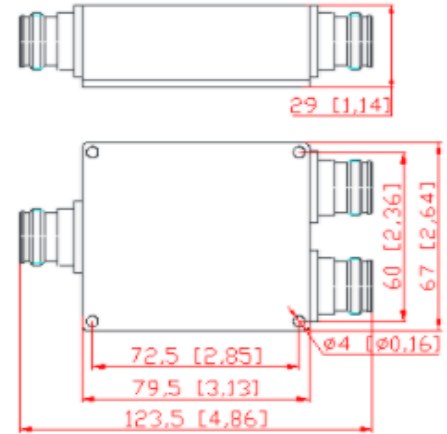
## 200W 550-2700MHz 4.3-10 Female 2 Way Power Divider

### Product Description:

200W 550-2700MHz 4.3-10 Female 2 Way Power Divider

**550-2700MHz 4.3-10 Mini Female Low PIM -153dBc -160dBc 2Way Wilkinson Power Divider For Commercial DAS IBS**

**Wilkinson Power Divider (WPD)** is a specific class of power divider circuit that can achieve isolation between the output ports while maintaining a matched condition on all ports. The Wilkinson design can also be used as a power combiner, the high degree of isolation between the output ports prevents cross talk between the individual channels which can be easily fabricated as quarter wave lines on circuit. WPD also can be unequally divided the input power based on different usage.



### Mechanical & Electrical Specifications

Mechanical & Electrical Specifications	
Part Number	SRFS-PD-05527-OP2
Operating Frequency ( MHz )	550-2700
Impedance ( Ohm )	50
VSWR	≤1.3
Split Loss (dB)	≤3.5
Isolation (dB)	≥18
IM3 (dBc @ 2×43dBm)	-153
Application	Indoor & Outdoor
Degree of Protection	IP65
Operating Temperature ( °C )	-40 ~ + 80
Interface	4.3-10 Female
Handling Power (Watt, max)	50(2w as combiner)
Peak Power (Watt, max)	200
Dimension (mm)(L×W×H, excl connector)	79.5× 67× 29.5
Net Weight (g)	425± 20
Packing Dimensions (mm,L×W×H)	190 × 80 × 45
Packing Carton Size (mm,L×W×H)	430 × 400 × 105
ROHS Compliance	Yes

Plot no 10 Shiv Vihar A Block Najafgarh Nala Road Vikasnagar Uttam Nagar New Delhi-110059

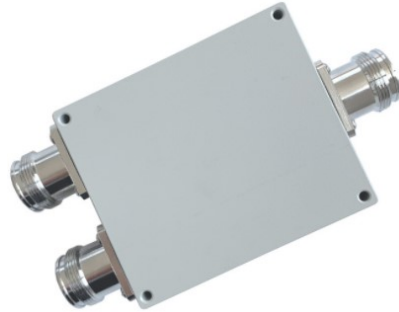
+91-9027232570, +91-8800726650 ✉ [info@srfsteleinfra.in](mailto:info@srfsteleinfra.in), [info@srfsteleinfra.com](mailto:info@srfsteleinfra.com)

[www.srfsteleinfra.in](http://www.srfsteleinfra.in)

# SRFS TELEINFRA



200W 550-2700MHz 4.3-10 Female 2 Way Power Divider



Plot no 10 Shiv Vihar A Block Najafgarh Nala Road Vikasnagar Uttam Nagar New Delhi-110059

+91-9027232570, +91-8800726650 ✉ [info@srfsteleinfra.in](mailto:info@srfsteleinfra.in), [info@srfsteleinfra.com](mailto:info@srfsteleinfra.com)

🌐 [www.srfsteleinfra.in](http://www.srfsteleinfra.in)