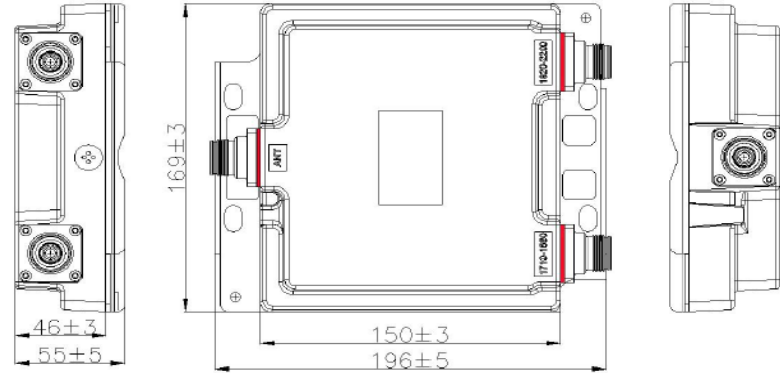


# SRFS TELEINFRA



## Dual-band Combiner (Single Unit)

### SRFS-1821-DF-160



#### Product Description:

- Compact, Low Weight
- Contain DCS 1800 & UMTS 2100MHz Bands
- Low Passive Inter-modulation
- High Reliability
- Simple Installation

Electrical & Mechanical Specifications	
Frequency	CH1: 1710 to 1880MHz CH2: 1920 to 2200MHz
VSWR	≤1.25
Insertion loss	≤0.35dB
Rejection	≥50dB
Power handling	200W Average (Per Port) 1000W Peak
Inter-modulation (3rd order)	≤-160dBc@2*43dBm
Impedance	50 Ohm
Connectors type	3*7/16 DIN-Female
Net Weight	TBA
Outer Dimension(mm)	196*169*55mm (Connectors & Mounting Bracket Included)
Packing	1Pce in box
Mounting Pole	With hose Clamp & Mounting Brackets
Environmental Specifications	
Operating temperature range	-10°C to +55°C
Storage temperature range	-20°C to +85°C
Relative humidity	5% - 95%
Applications	IP65 (Indoor & Outdoor)

Plot no 10 Shiv Vihar A Block Najafgarh Nala Road Vikasnagar Uttam Nagar New Delhi-110059

+91-9027232570, +91-8800726650 ✉ [info@srfsteleinfra.in](mailto:info@srfsteleinfra.in), [info@srfsteleinfra.com](mailto:info@srfsteleinfra.com)

[www.srfsteleinfra.in](http://www.srfsteleinfra.in)

# SRFS TELEINFRA



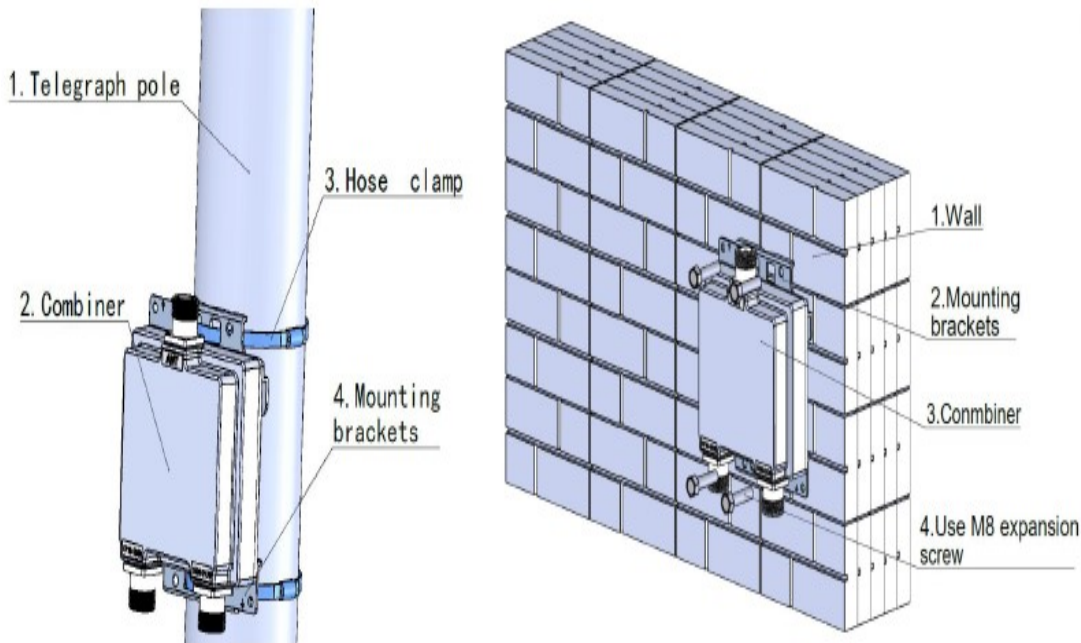
## Dual-band Combiner (Single Unit)

SRFS-1821-DF-160

### Product Image



### Installation Instructions



Plot no 10 Shiv Vihar A Block Najafgarh Nala Road Vikasnagar Uttam Nagar New Delhi-110059

+91-9027232570, +91-8800726650 [info@srfsteleinfra.in](mailto:info@srfsteleinfra.in), [info@srfsteleinfra.com](mailto:info@srfsteleinfra.com)

[www.srfsteleinfra.in](http://www.srfsteleinfra.in)