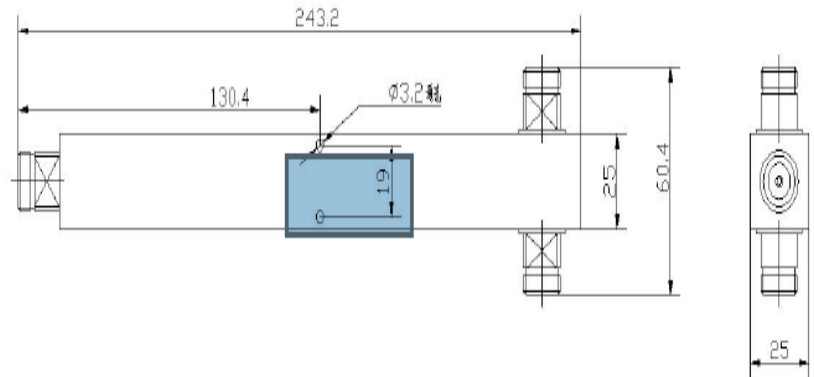


SRFS TELEINFRA



2-Way Power Splitter (698-4000MHz, 300W, N-F, IP65, -155dBc)



Product Features:

- Wide Frequency Band 698-4000MHz
- 2G/3G/4G/LTE/5G Coverage
- Low Passive Inter-modulation
- Low VSWR & Insertion Loss
- Indoor & Outdoor Application IP65 Widely used for In-building Solutions

Electrical & Mechanical Specifications

Electrical & Mechanical Specifications	
Model No.	SRFS-738-02-NF-155S
Freq(MHz)	698-4000
Input Port Number	1
Output Port Number	2
Split Loss(dB)	3.0
IL(dB)	≤0.4
VSWR	≤1.25
3rd PIM (dBc)	≤-155dBc@2*43dBm
Average Power(W)	300
Impedance	50 ohm
Connector	N-Female
Color	Weight Black or Customized
Temp(deg)	-35~+65
Application	Indoor & Outdoor IP65
Relative Humidity	5%-95%
Dimensions(mm)	243.2*60.4*25 (Connectors Included)



Plot no 10 Shiv Vihar A Block Najafgarh Nala Road Vikasnagar Uttam Nagar New Delhi-110059

+91-9027232570, +91-8800726650 info@srfsteleinfra.in, info@srfsteleinfra.com

www.srfsteleinfra.in

SRFS TELEINFRA



2-Way Power Splitter (698-4000MHz, 300W, N-F, IP65, -155dBc)



Plot no 10 Shiv Vihar A Block Najafgarh Nala Road Vikasnagar Uttam Nagar New Delhi-110059

+91-9027232570, +91-8800726650  info@srfsteleinfra.in, info@srfsteleinfra.com

 www.srfsteleinfra.in