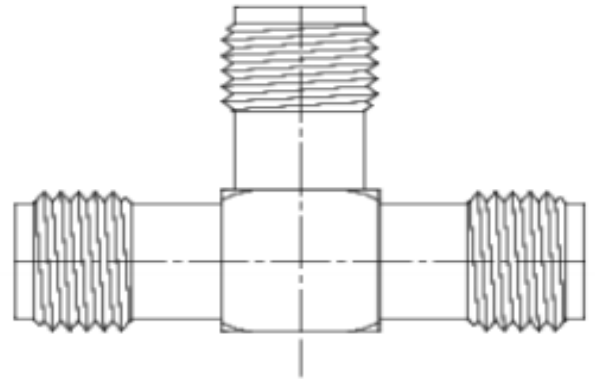


SMA FEMALE TO FEMALE TO FEMALE T ADAPTOR

Part No. SRFS-ASMAFF-12



Electrical & Mechanical Specifications		
Characteristics Impedance	50 ohm	
Frequency Range	DC-12.4GHz	
VSWR	1.15:1	
Dielectric Withstanding Voltage	≤ 1000V RMS,50Hz at sea level	
Working Voltage (AC)	335V max	
Insertion Loss	≤ 0.2 dB	
RF leakage	≤ 70dB @12.4 GHz	
RF High Potential Withstanding Voltage	≤ 500V RMS @ 5 MHz	
Insulation Resistance	≥5000M OHM	
Contact Resistance	Center Contact ≤ 3mΩ Outer Contact ≤ 2 mΩ	
Dielectric Resistance	≥5000MΩ	
Durability	Mating cycles ≥500	
Material & Plating		
	Material	Plating
Body	Brass	Gold Plated
Insulator	PTFE	-
Center conductor Material	Beryllium copper	Gold Plated
Mechanical Specification		
Temperature Range	- 55°C ~ +165 °C	
RoHS Compliant	Yes	