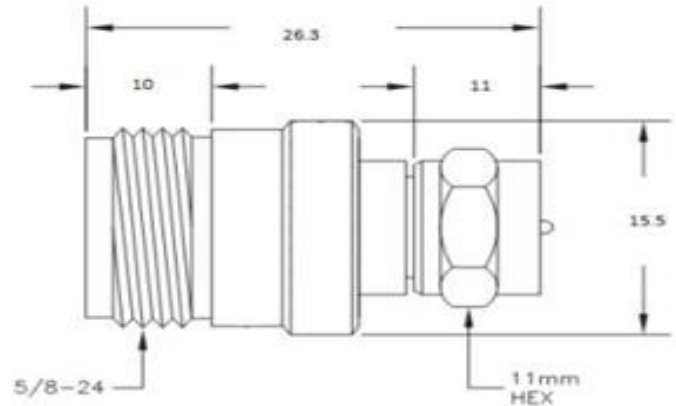


## N Female to F Male Adaptor (SRFS-ANFFM04)



### Electrical & Mechanical Specifications

Characteristics Impedance	75 ohm
Frequency Range	DC-3GHz
VSWR	≤1.25 @DC-3GHz
Dielectric Withstanding Voltage	≥2500V RMS,50Hz, at sea level
Working Voltage	1000Vrms,50 Hz at sea level
Contact Resistance	Center Contact ≤ 1.0 mΩ Outer Contact ≤ 0.25 mΩ
Dielectric Resistance	≥5000MΩ
Durability	Mating cycles ≥500

### Material & Plating

	Material	Plating
Body	Brass	Ni
Insulator	PTFE	-
Center conductor	Phosphor bronze	Au

### Mechanical Specification

Temperature Range	-40°C~+100°C
Waterproof Rate	IP 68
RoHS Compliant	Yes