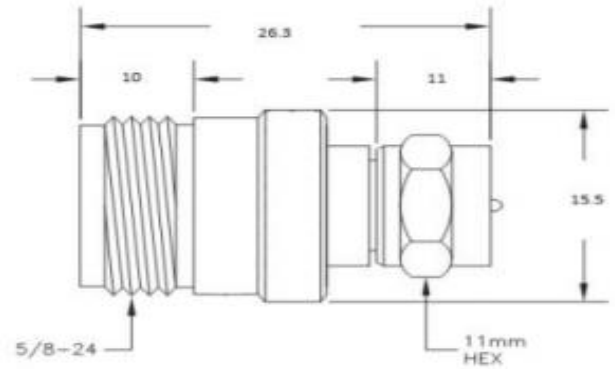


## N Female to F Male Adaptor (SRFS-ANFFM04)



Electrical & Mechanical Specifications		
Characteristics Impedance	75 ohm	
Frequency Range	DC-3GHz	
VSWR	$\leq 1.25$ @DC-3GHz	
Dielectric Withstanding Voltage	$\geq 2500V$ RMS,50Hz,at sea level	
Working Voltage	1000Vrms,50 Hz at sea level	
Contact Resistance	Center Contact $\leq 1.0$ m $\Omega$ Outer Contact $\leq 0.25$ m $\Omega$	
Dielectric Resistance	$\geq 5000M\Omega$	
Durability	Mating cycles $\geq 500$	
Material & Plating		
	Material	Plating
Body	Brass	Ni
Insulator	PTFE	-
Center conductor	Phosphor bronze	Au
Mechanical Specification		
Temperature Range	$-40^{\circ}C \sim +100^{\circ}C$	
Waterproof Rate	IP 68	
RoHS Compliant	Yes	