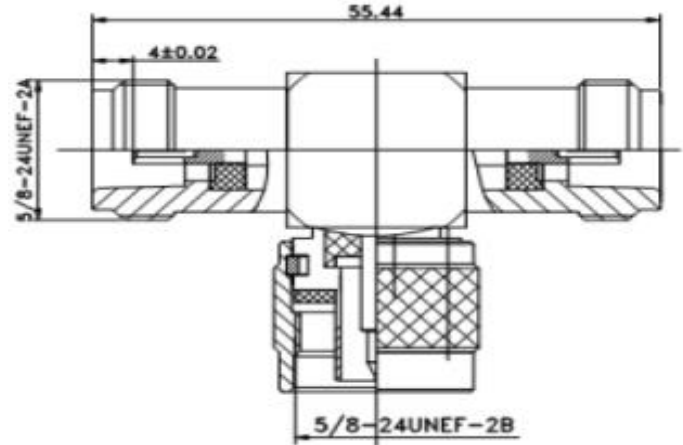


## N FFM T type Adaptor



Electrical & Mechanical Specifications		
Characteristics Impedance	50 ohm	
Frequency Range	DC-11GHz	
VSWR	≤1.20@DC-3000MHz	
Dielectric Withstanding Voltage	2500V RMS,50Hz at sea level	
Working Voltage	1000V RMS,50Hz at sea level	
Contact Resistance	Center Contact ≤ 1.0 mΩ Outer Contact ≤ 0.25 mΩ	
Dielectric Resistance	≥5000MΩ	
Durability	Mating cycles ≥500	
Material & Plating		
	<b>Material</b>	<b>Plating</b>
Body	Brass	Ni
Insulator	PTFE	-
Center conductor	Phosphor Copper	Au
Coupling nut	Brass	Ni
Press ring	Brass	Ag
Gasket	Silicone rubber	-
Mechanical Specification		
Temperature Range	-40°C ~ +85°C	
Waterproof Rate	IP 68	
RoHS Compliant	Yes	