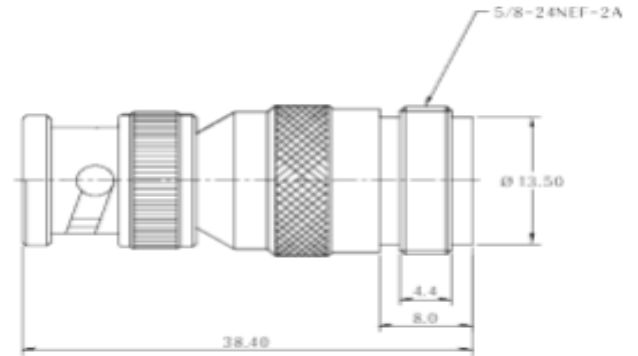


N FEMALE TO BNC Male Adapter



Electrical & Mechanical Specifications		
Characteristics Impedance	50 ohm	
Frequency Range	DC-3GHz	
VSWR	1.30:1	
Dielectric Withstanding Voltage	≤ 1000V RMS,50Hz,at sea level	
Working Voltage	335V max	
Contact Resistance	Center Contact ≤ 3mΩ Outer Contact ≤ 2mΩ	
Dielectric Resistance	≥5000MΩ	
Durability	Mating cycles ≥500	
Material & Plating		
	Material	Plating
Body	Brass	Ni
Insulator	PTFE	-
Center Contact(pin)	Brass, Be-Cu	Au
Mechanical Specification		
Temperature Range	- 55°C ~ +165 °C	
RoHS Compliant	Yes	