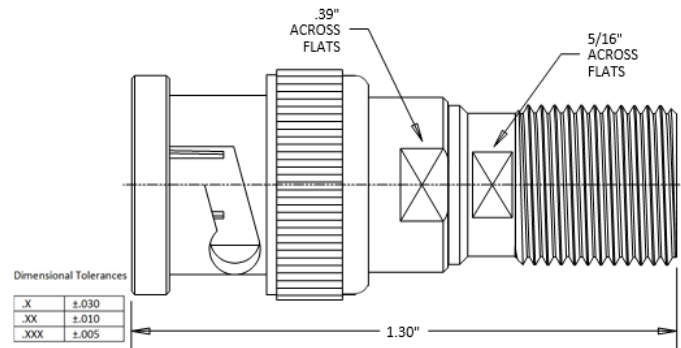


BNC Male to F Female Adaptor (SRFS- ABNCMFF04)



Electrical & Mechanical Specifications	
Characteristics Impedance	75 ohm
Frequency Range	DC-3GHz
VSWR	≤1.25 @DC-3GHz
Dielectric Withstanding Voltage	≥2500V RMS,50 Hz , at sea level
Working Voltage	1000Vrms,50 Hz at sea level
Contact Resistance	Center Contact ≤ 1.0 mΩ Outer Contact ≤ 0.25 mΩ
Dielectric Resistance	≥5000MΩ
Durability	Mating cycles ≥500
Material & Plating	
Body	Nickel Plated Brass
Insulator	PTFE
Center conductor	Phosphor bronze (Au)
Mechanical Specifications	
Temperature Range	-40°C~+100°C
Waterproof Rate	IP 68
RoHS Compliant	Yes